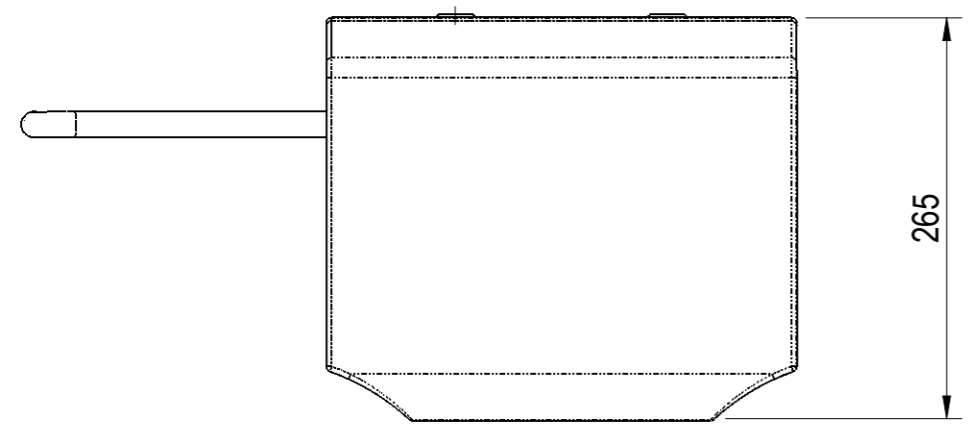


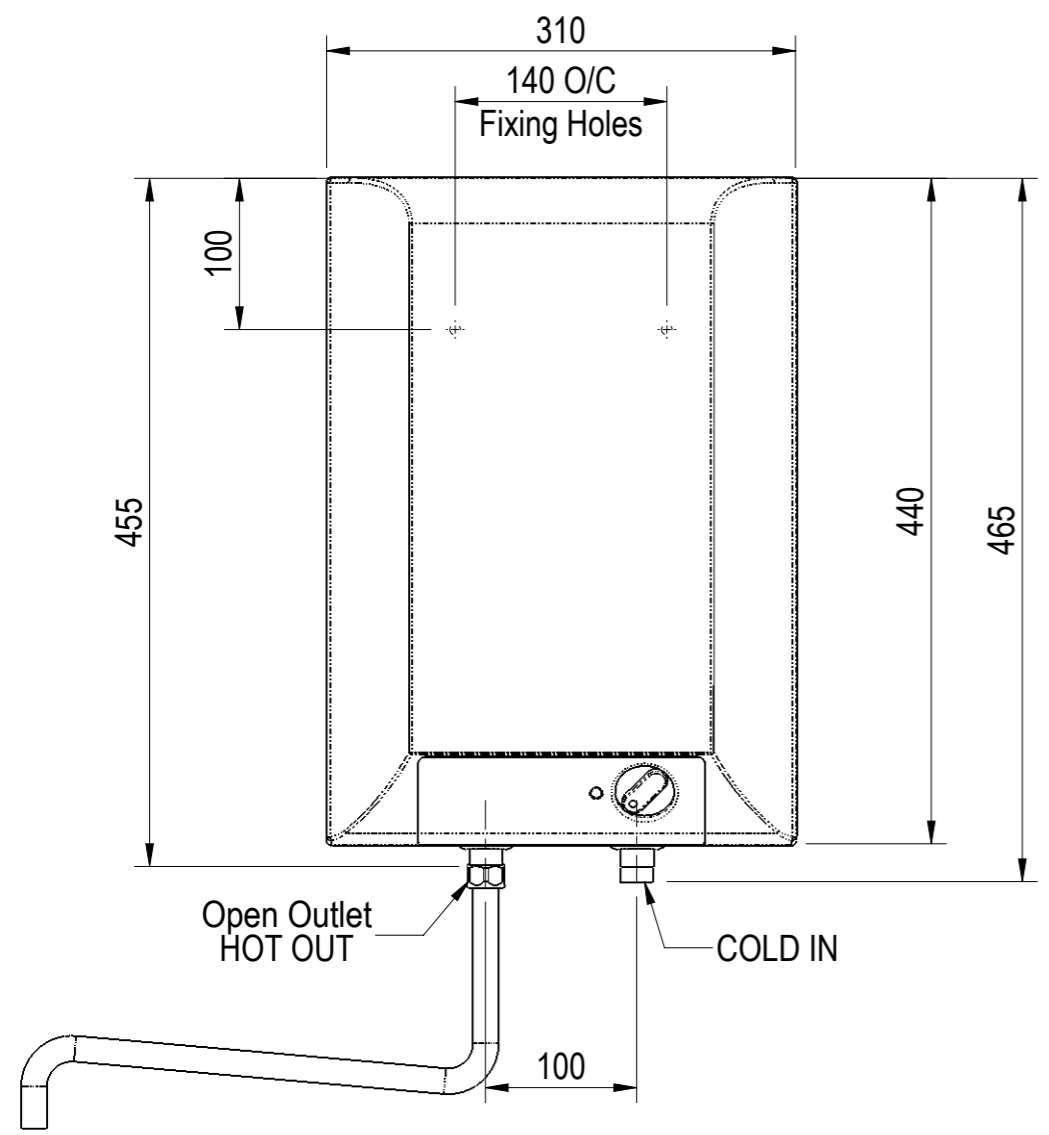
THIRD ANGLE PROJECTION

Dimensions in millimetres  
Drawing to BS8888:2004  
Screw threads to BS 8498:2008

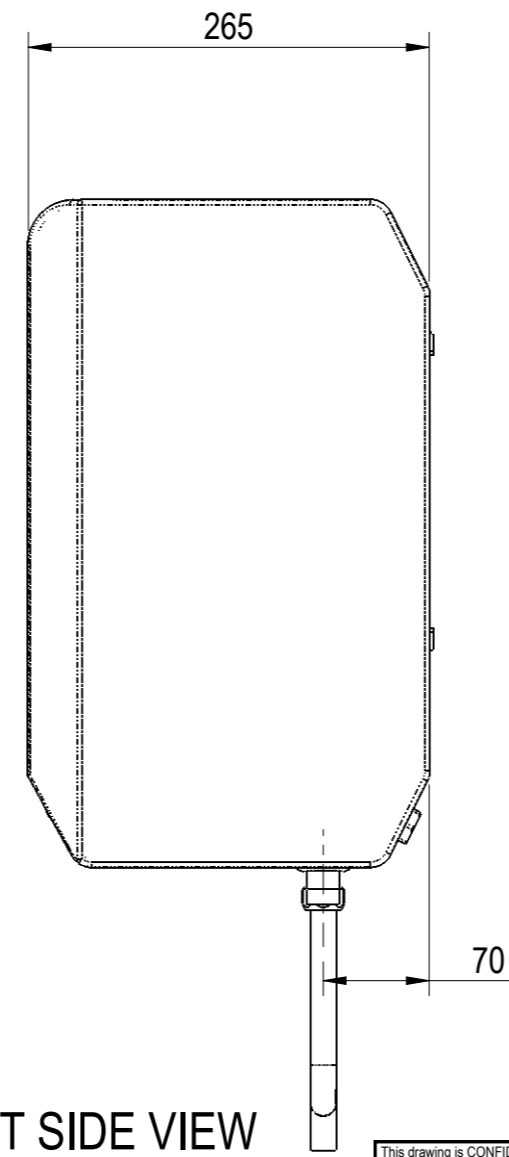
Zip Industries Pty Ltd  
67 Allingham Street  
Condell Park  
Sydney  
NSW 2200  
Australia  
Web : www.zipindustries.com  
Email : sales@zipindustries.com



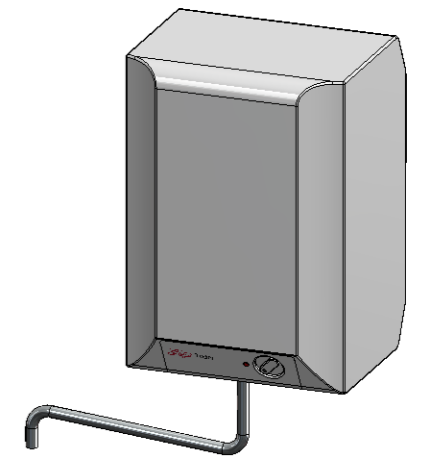
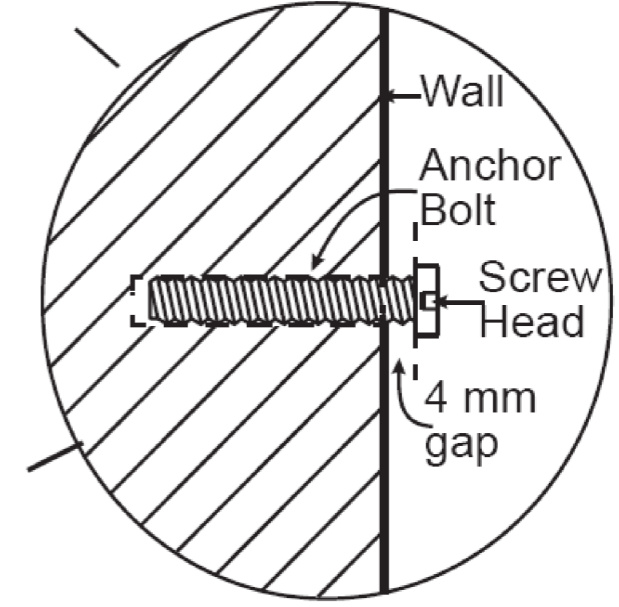
TOP VIEW  
SCALE 1 : 5



FRONT VIEW  
SCALE 1 : 5



RIGHT SIDE VIEW  
SCALE 1 : 5



Isometric View (1:1)  
Configuration : Default

This drawing is CONFIDENTIAL and is supplied on the express condition that it shall not be LOANED, COPIED or DISCLOSED to any other third party or used for any purpose without the written consent of Zip Industries Pty Ltd. If this document is printed in hardcopy form, it is for INFORMATION ONLY and therefore not subject to updating controls. For the current revision ALWAYS refer to the NATIVE electronic form as stated in the top left-hand corner of this sheet. © copyright Zip Industries Pty Ltd, 13/03/2013

**Zip Industries** 

<b>Manufacturing Instructions</b> Make or Buy : <a href="#">Make</a> Manufacturing Route : <a href="#">See Components</a> Raw material : <a href="#">See Components</a> Remove all sharp edges. This drawing ONLY details information which cannot be ascertained from the 3D geometry of the part(s) attached. Model & dimensions are AFTER all finishing operations Comments : Converted by nickm @ 15/02/2013 14:26:55		Approved by : <a href="#">Unapproved on 1/01/2001</a> Checked by : <a href="#">Unchecked on 1/01/2001</a> Updated by : <a href="#">edgarg on 15/03/2013 3:43:54 PM</a> Material : <a href="#">See Components</a> Finish : <a href="#">See Components</a>	Description : <b>10L Over/Sink Inc Spout V09 Zip Tudor Single Outlet H/Watr</b> Project : Washroom products: Tudor Model : 21101 Drawing : <b>21101</b> Derived from : <a href="#">New</a> Volume (cm3) : 3233.8 Area (cm2) : 12597.1 Mass (g) : 3450.8 Density (g/cm3) : 1.1	Configuration : <a href="#">Default</a> Created by & on : <a href="#">EdgarG on 13/03/2013</a> Created by & on : <a href="#">EdgarG on 13/03/2013</a> Rev : <b>A</b> Size : <b>A3</b>
Potable? : <a href="#">No</a> Recyclable? : <a href="#">No</a> Handed? : <a href="#">No</a>	Colour : <a href="#">Colour</a> Status : <a href="#">Production</a> Drawing Property : <a href="#">Part Property</a>	Scale : <a href="#">1:1</a> Sheet : <a href="#">1 of 1</a>	Colour : <a href="#">Colour</a> Status : <a href="#">Production</a>	Rev : <b>A</b> Size : <b>A3</b>