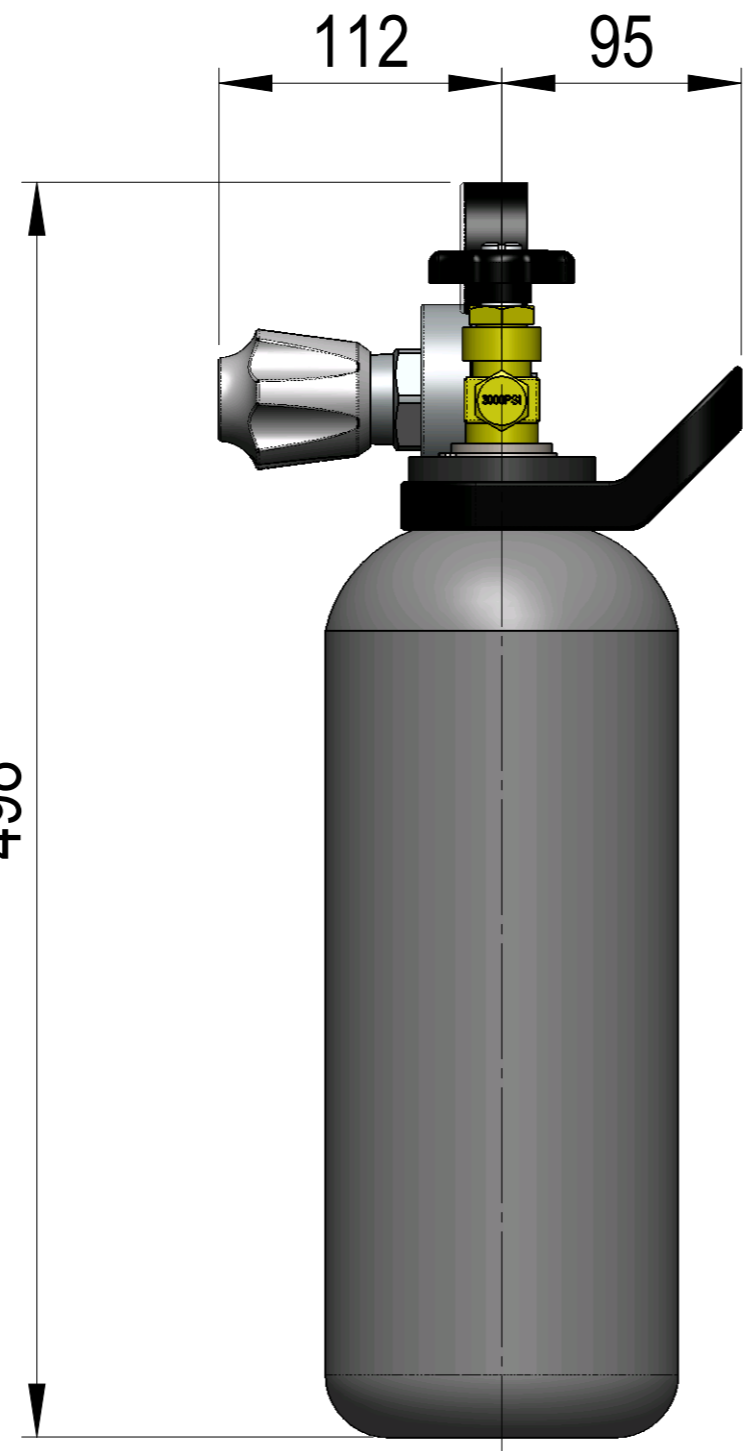


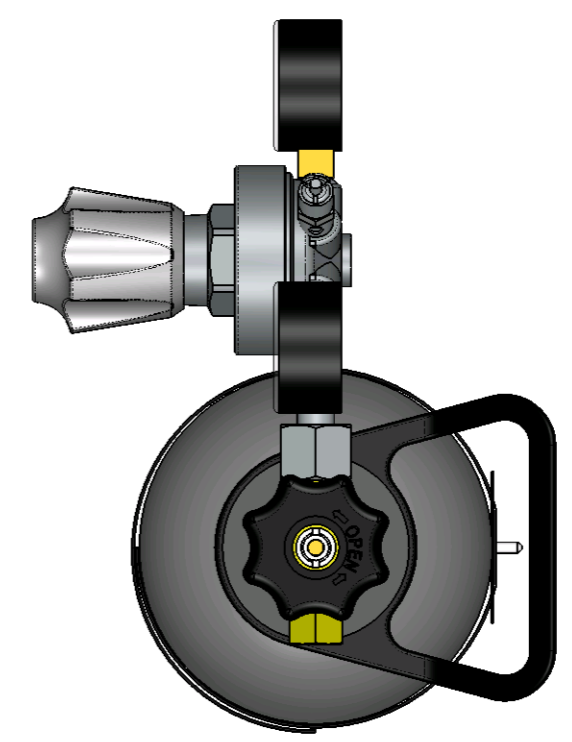
<p>THIRD ANGLE PROJECTION</p>	Dimensions in millimetres	Zip Industries Pty Ltd 67 Allingham Street Condell Park Sydney NSW 2200 Australia
	Drawing to BS8888:2004	Web : www.zipindustries.com Email : sales@zipindustries.com
	Screw threads to BS 8498:2008	



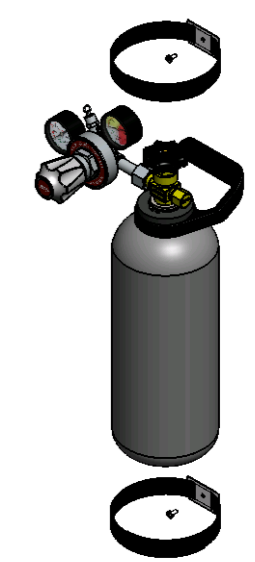
FRONT VIEW



RIGHT SIDE VIEW



TOP VIEW



This drawing is CONFIDENTIAL and is supplied on the express condition that it shall not be LOANED, COPIED or DISCLOSED to any other third party or used for any purpose without the written consent of Zip Industries Pty Ltd. If this document is printed in hardcopy form, it is for INFORMATION ONLY and therefore not subject to updating controls. For the current revision ALWAYS refer to the NATIVE electronic form as stated in the top left-hand corner of this sheet. © copyright Zip Industries Pty Ltd, 23/02/2015

Zip Industries

Manufacturing Instructions Make or Buy : Buy Manufacturing Route : See Components Raw material : See Components Remove all sharp edges. This drawing ONLY details information which cannot be ascertained from the 3D geometry of the part(s) attached. Model & dimensions are AFTER all finishing operations Comments : Comments :		Approved by : nickm on 31/03/2015 Checked by : nickm on 31/03/2015 Updated by : nickm on 31/03/2015 3:20:45 PM Material : See Components Finish : See Components	Description : Kit CO2 - 2.6kg Gas+Regulator+Straps Project : HydroTap G4® Sparkling Model : 93223 Drawing : 93223 Derived from : New Colour : Colour Status : Production	Configuration : Default Created by & on : EdgarG on 23/02/2015 Created by & on : Engineer on 23/02/2015 Rev : A Size : A3 Custom Property
Potable? : No Recyclable? : Yes Handed? : No	Volume (cm3) : 5957.8 Area (cm2) : 4129.9 Mass (g) : 6548.6 Density (g/cm3) : 1.1	Scale : 1:10 Sheet : 1 of 1	Drawing Property Config Property Custom Property	