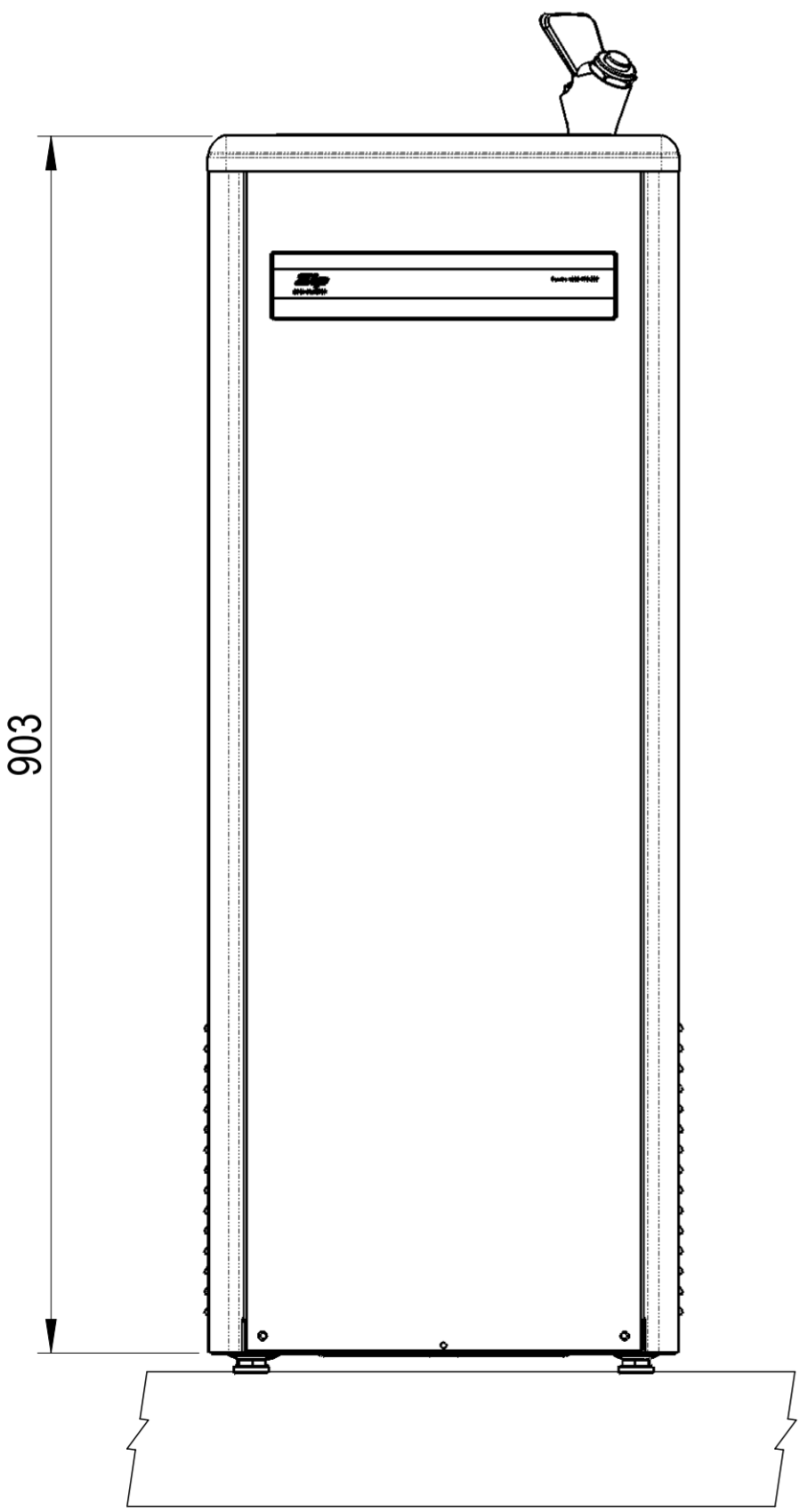
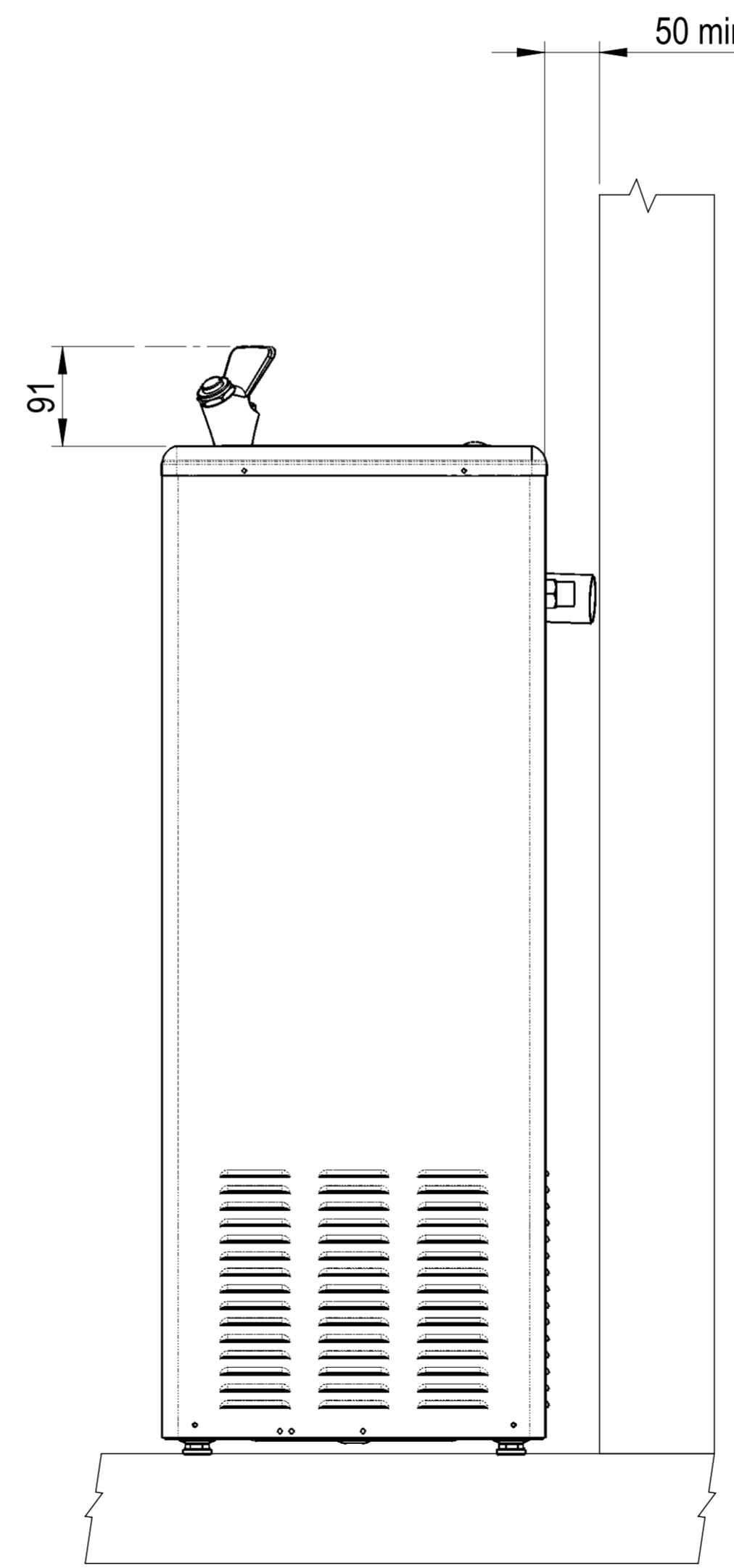


TOP VIEW
SCALE 1 : 5



FRONT VIEW

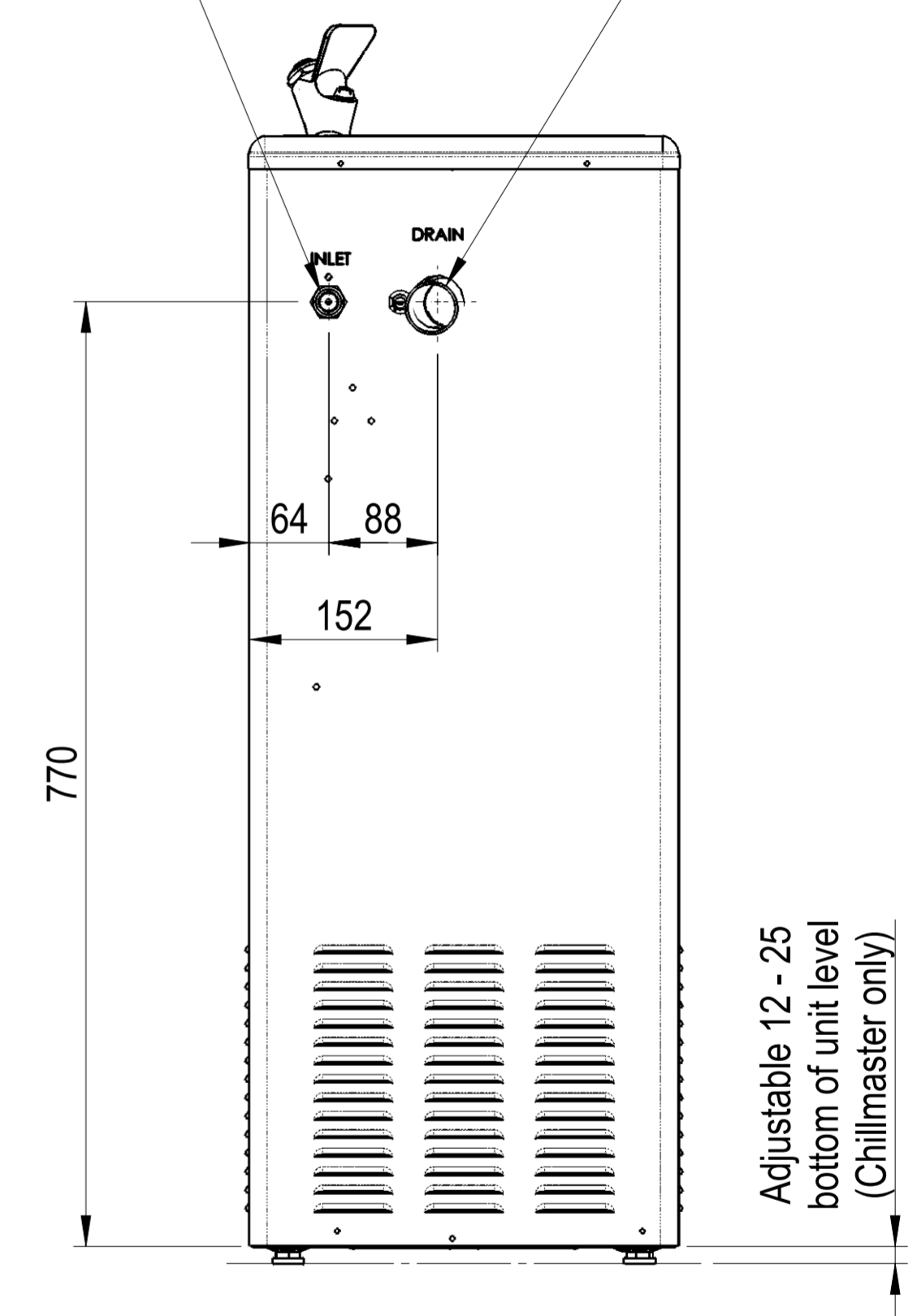


SIDE VIEW

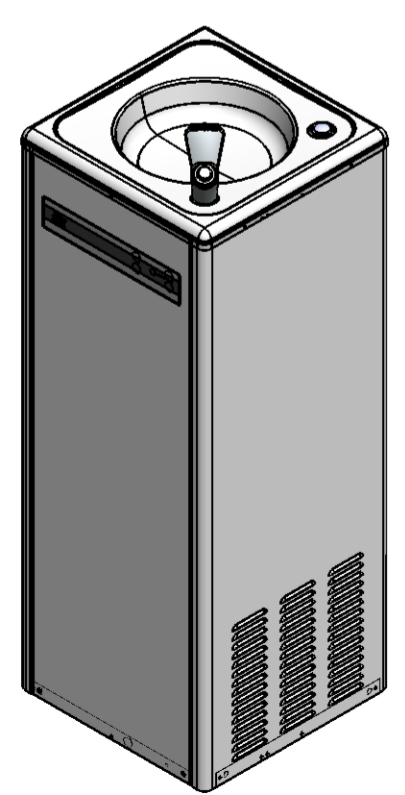
1/2" BSP Female Cold Water Inlet

ø40mm PVC Drain Outlet

50 min.



Adjustable 12 - 25
bottom of unit level
(Chillmaster only)



Isometric View
Configuration : Default
Scale : 1:10

This drawing is CONFIDENTIAL and is supplied on the express condition that it shall not be LOANED, COPIED or DISCLOSED to any other third party or used for any purpose without the written consent of Zip Industries Pty Ltd. If this document is printed in hardcopy form, it is for INFORMATION ONLY and therefore not subject to updating controls. For the current revision ALWAYS refer to the NATIVE electronic form as stated in the top left-hand corner of this sheet. © copyright Zip Industries Pty Ltd, 22/10/2013

Manufacturing Instructions		Approved by : Unapproved on 1/01/2001	Description :
Make or Buy : Make	Checked by : Unchecked on 1/01/2001	Updated by : edgarg on 23/10/2013 1:39:04 PM	140 Glass White UF EMB140 Bubbler only, P Trap SPECIAL IP Rated = 2/3
Raw material : See Components	Material : See Components	Project : Economaster® Special	Configuration : Default
Remove all sharp edges. This drawing ONLY details information which cannot be ascertained from the 3D geometry of the part(s) attached. Model & dimensions are AFTER all finishing operations.	Finish : See Components	Model : 62059	Created by & on EdgarG on 18/10/2013
Comments :	Volume (mm ³) : 1162.9	Area (mm ²) : 26156.4	Derived from : New
	Mass (kg) : 6371.0	Density (g/mm ³) : 5.5	Scale : 1:1
Potable? : No	Recyclable? : Yes	Handed? : No	Sheet : 1 of 1
			Colour : Colour
			Status : Design
			Created by & on EdgarG on 22/10/2013
			Rev 00
			Size A2
			Drawing Property
			Config Property
			Custom Property

Zip Industries