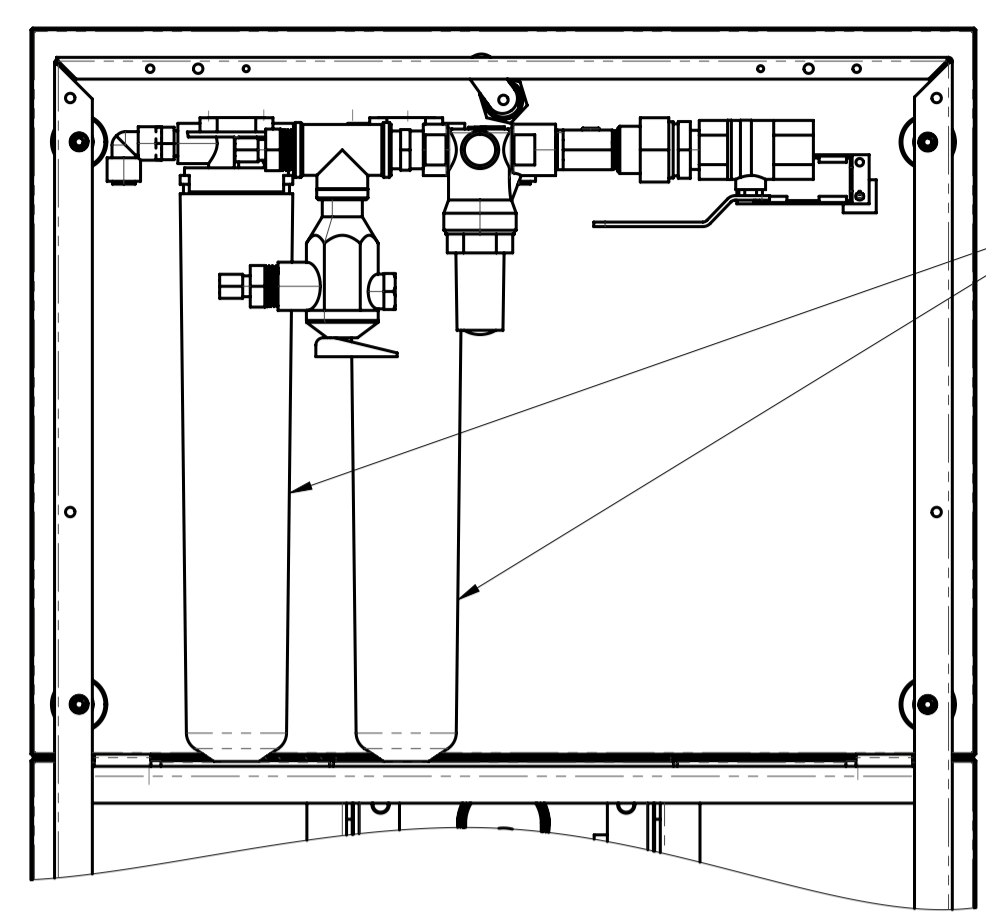
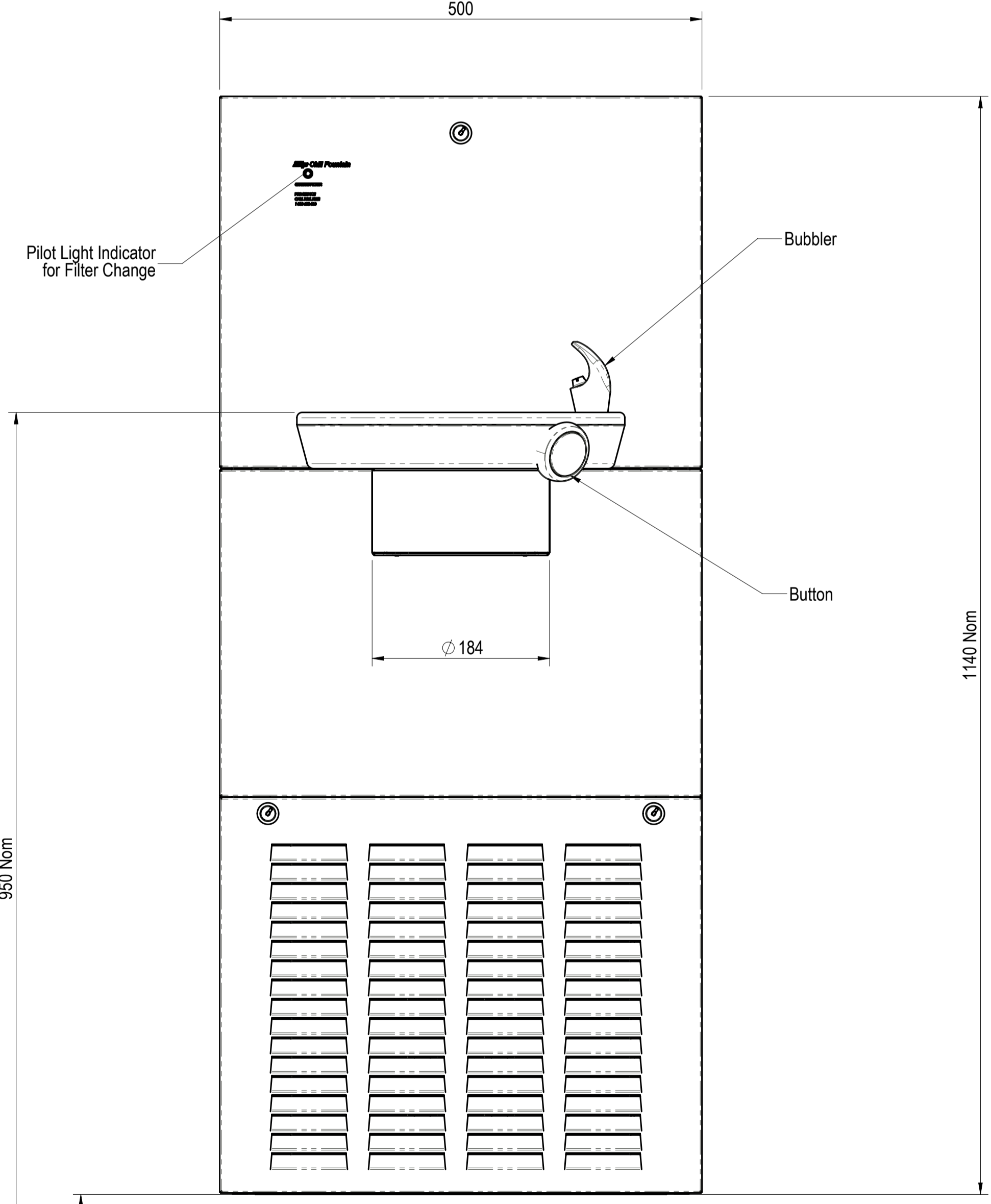


TOP VIEW  
SCALE 1 : 4

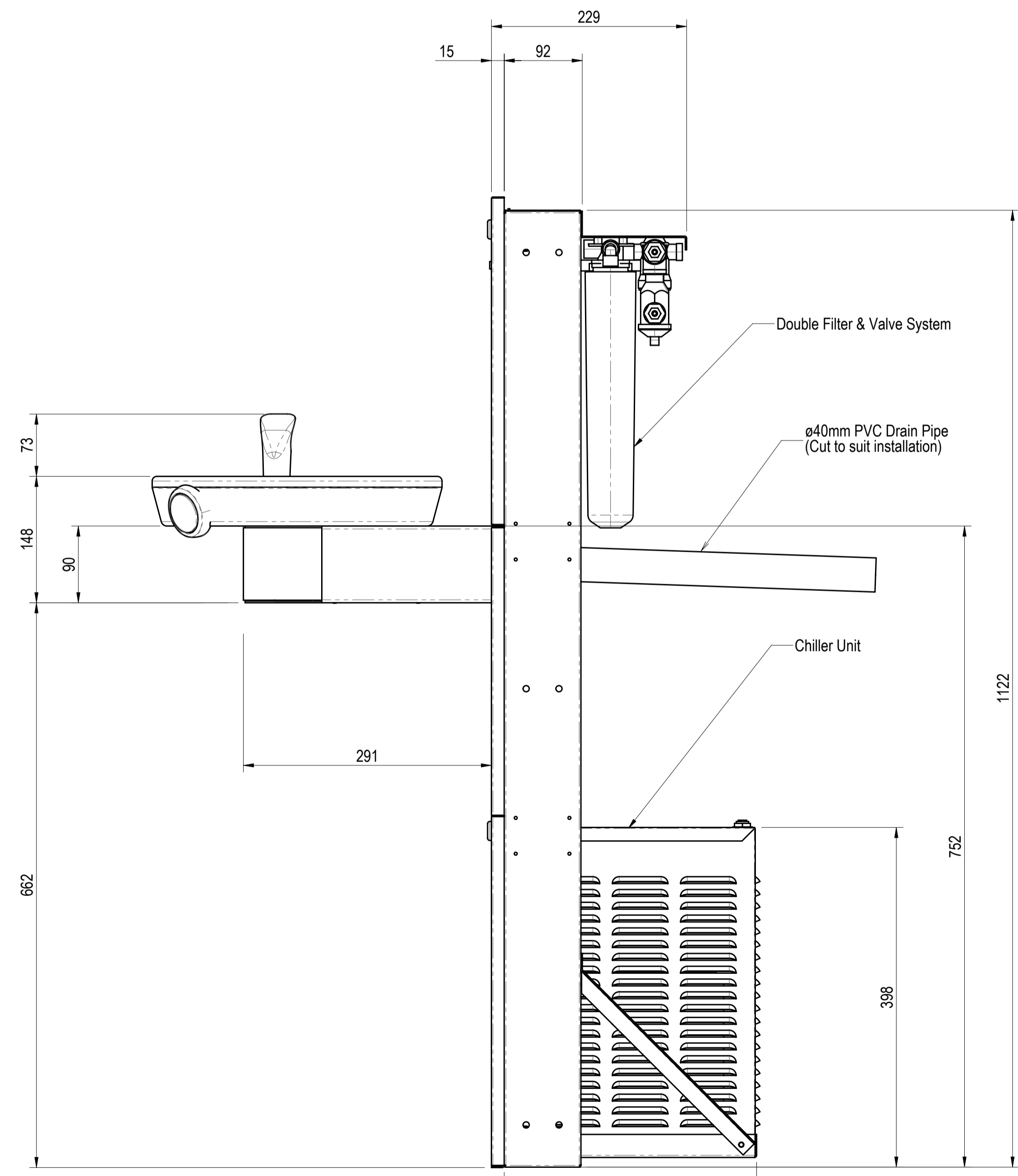


Double Filter & Valve System  
(Mounting Bracket omitted for clarity)

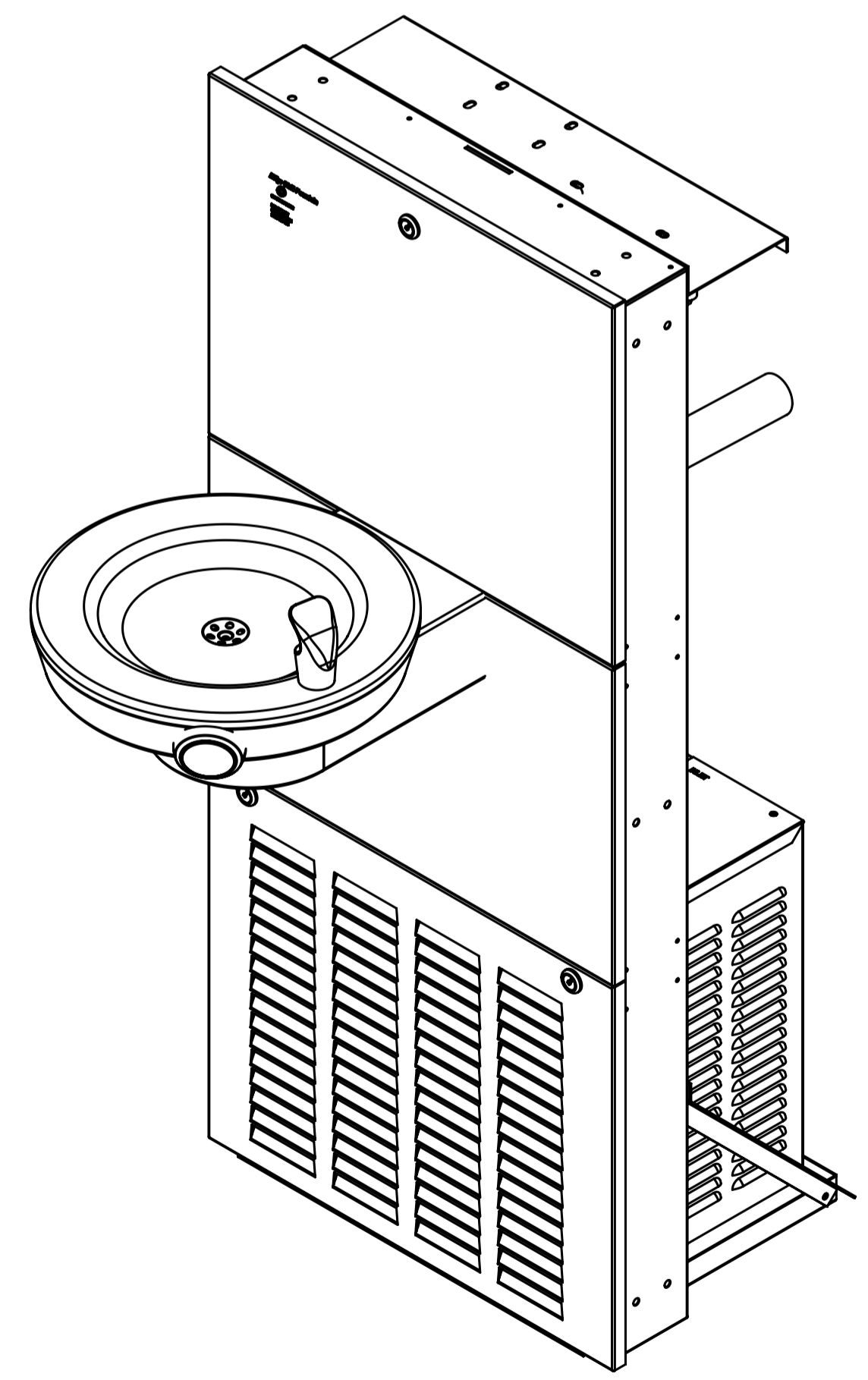
REAR VIEW  
SCALE 1 : 4



FRONT VIEW  
SCALE 1 : 4



SIDE VIEW  
SCALE 1 : 4



Configuration : Default

This drawing is CONFIDENTIAL and is supplied on the express condition that it shall not be LOANED, COPIED or DISCLOSED to any other third party or used for any purpose without the written consent of Zip Industries Pty Ltd. This document is printed in hardcopy form. It is for INFORMATION ONLY and therefore not subject to updating controls. For the current revision ALWAYS refer to the MATRICE document form as stated in the top left hand corner of this sheet. © copyright Zip Industries Pty Ltd. 8/25/2011		<b>Zip Industries</b>	
<b>Manufacturing Instructions</b>		<b>Chill Fountain - Adult Single Tier</b>	
Make of Buy: Make Manufacturing Route: See Components Raw material: See Components Remove all sharp edges. This drawing ONLY details information which cannot be manufactured from the 3D geometry of the part(s) attached. Model & dimensions are AFTEK all finishing operations. Comments: Generated by edgery @ 08/05/2011 15:35:54	Approved by: Unapproved on 10/12/2011 Updated by: edgery on 14/04/2014 2:54:38 PM Material: See Components Finish: Proprietary	Project: Chill Fountains Model: 37006 Drawing: 37006 Volume: 2875.5   Area: 4093.7 Mass: 2096.10   Density: 7.3	Configuration: Default Created by & on: edgery on 20/11/2007 Engineered on: 05/02/2011 Status: Production Colour: Proprietary Size: A1
1/01/2001		1/01/2001	