

QUICK START GUIDE

CS and CSHA Commercial models

Note: This quick start guide must be read in conjunction with the main installation and user manuals



- Before proceeding, read the installation and user instructions
- Check all the components are present and correct.
- Check that you have all the necessary tools
- Ensure the underbench can support the product weight when full of water, (Check the specifications in the main book and allow an extra 4-5kg when full.)

Before installing ensure the following have been provided at the installation site:

- Sufficient space in the cupboard to install all of the undersink units in accordance with these Installation Instructions. Refer to technical specification for dimensions. If required, make allowance for a booster heater. (Refer to the main book, for detailed installation instructions).
- A potable water supply connection with isolating valve inside the cupboard within reach of the flexible braided hose and positioned so that the connection point and the stop cock will not be obstructed when all the undersink units are installed.
- For Zenith HydroTap CS & CSHA models, a 220-240Vac, 10A GPO will be required.

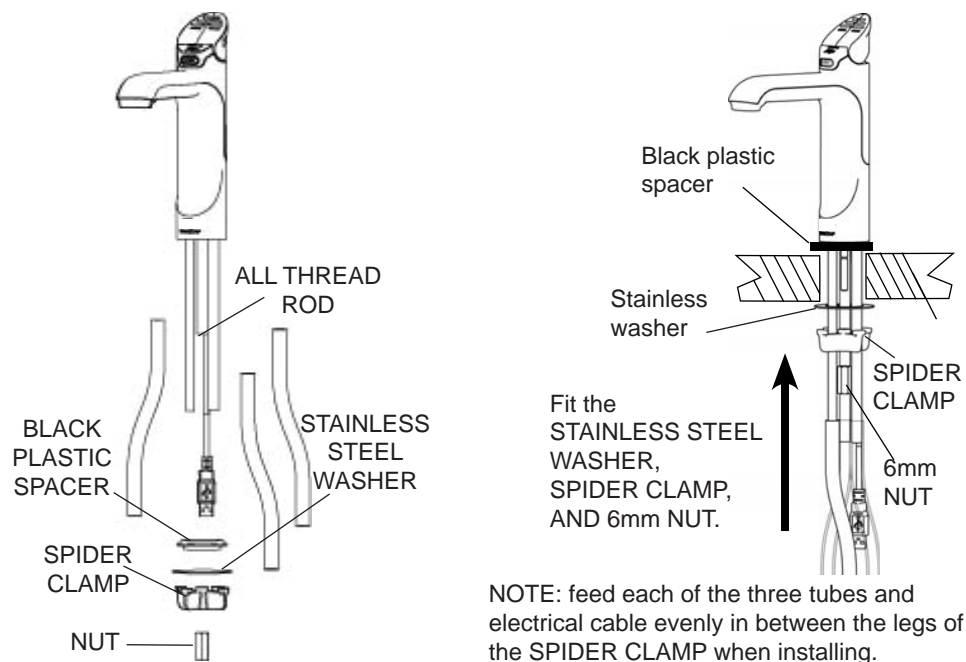
NOTE: Check the cable lengths and outlet positions before proceeding.

- A potable cold water supply of between 250 - 700kPa
- Isolation valves for Hot and Cold water.
- For the CSHA model, both a hot and cold water supply will be required.
- The undersink appliances must be mounted in upright positions, with their bases mounted horizontally, as shown in the diagrams.



IMPORTANT! Do not proceed with the installation if these requirements are not met.

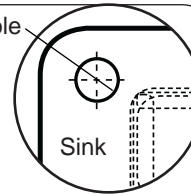
1 - HydroTap and Elite Tap



NOTE: feed each of the three tubes and electrical cable evenly in between the legs of the SPIDER CLAMP when installing.

Apply a light smearing of silicon sealant on the underside of the upper spacer to ensure a watertight fit.

Hole positioning: Position the tap such that it dispenses into the sink bowl with ample clearance for a cup or tea pot. Alternatively, the tap could be mounted away from the sink using a Zenith Font, available as an accessory.



2 - HydroTap Arc/Cube

The HydroTap Arc/Cube has a spout that may be fixed in one of 6 angular positions (depending on the position of the rotary control) and fixed in one of two height positions. The spout is fixed and does not swivel.

NOTE: The tube kit must be fitted after the HydroTap has been mounted on the benchtop or sink. Refer to the tube kit assembly instructions, supplied with the tap kit.

1. Remove the 2 x spout locating screws and lower the spout to expose the plastic spring clip

NOTE: The plastic spring clip has two internal dimples that may be positioned in the 6 upper or 6 lower, pre drilled holes in the spout (see diags. below)

2. To reposition the spout, gently spread the plastic spring clip to release the dimples from the spout holes. When released, slide the clip on the spout so that it ends up between the two rows of holes.
3. Rotate the plastic clip on the spout to orient the dimples, so they are in line with the newly selected holes.

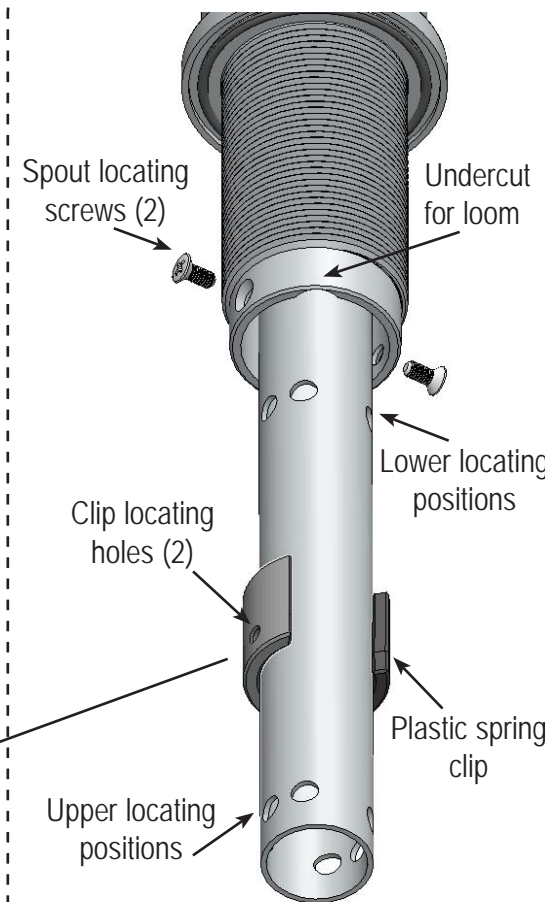
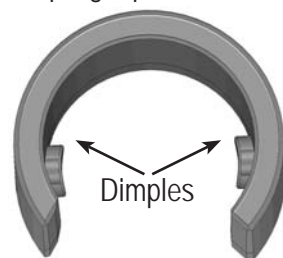
NOTE: When determining which of the 6 holes are required for the new spout height and orientation, check the new plastic clip position will clear the undercut and that the wiring loom will not be pinched, when assembled.

4. Slide the plastic clip up/down to engage with the selected holes, making sure the two dimples engage simultaneously with the two selected holes.

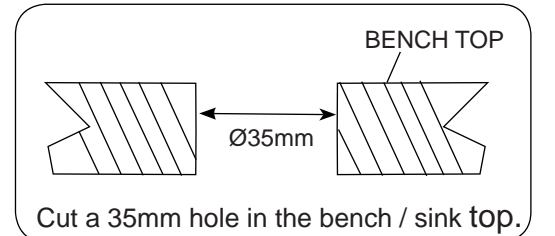
NOTE: The clip will not fit correctly if one dimple engages before the other. Both dimples must engage at the same time.

5. With the clip fitted to the newly selected holes, carefully raise the spout (ensure the wiring loom is a neat fit in the undercut and is located between the open ends of the clip) until the clip locating holes are in line with the spout locating screws.
6. Replace the 2 x locating screws.
7. If mounting on an uneven surface, apply a light smearing of silicon sealant on the O ring to ensure a watertight fit.
8. Pass the assembly through the 35mm hole and position the tap so it discharges into the sink.
9. Fit the lower rubber seal to the threaded extension.
10. Secure the tap in position with the metal washer and nut.
11. Fit the tube kit, as supplied

Plastic spring clip



3 - Celsius Arc/Cube



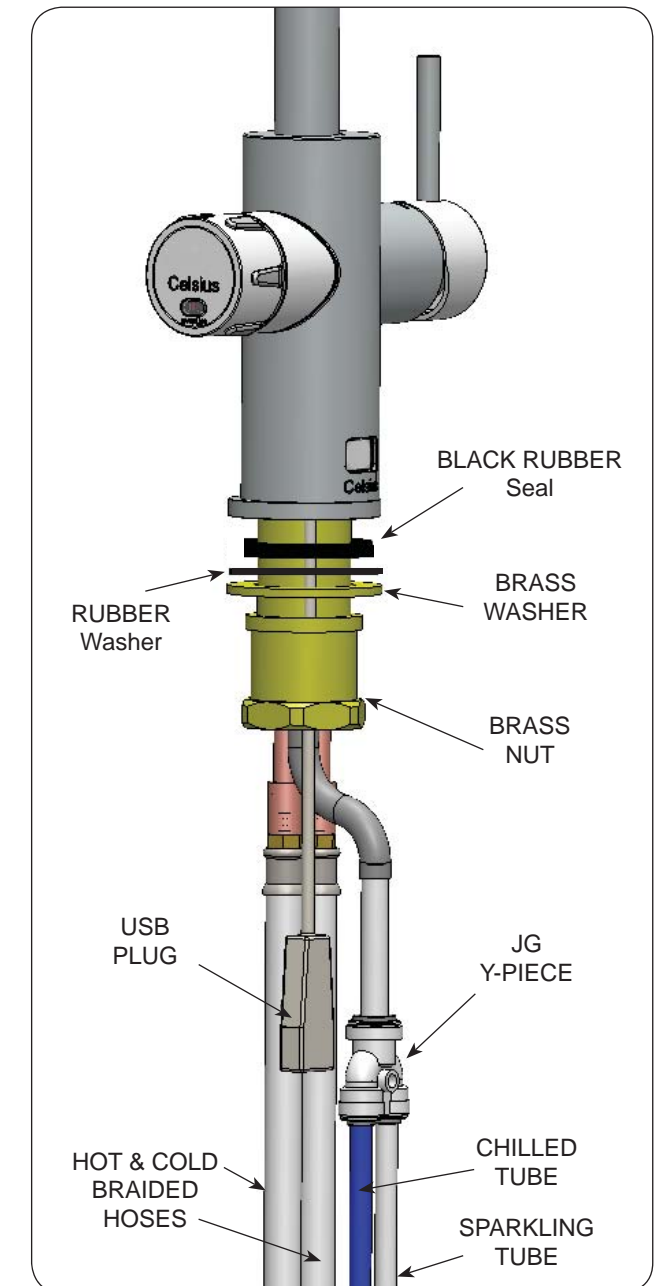
Cut a 35mm hole in the bench / sink top.

Pass all the hoses, tubes and USB lead through the 35mm hole.

Ensure the black rubber seal is correctly positioned to give a water tight seal. Secure the rubber & brass washers and large nut from inside the cupboard space, as shown.

Connect the Hot and Cold braided hoses to the external mains and hot water supply respectively.

The blue and white tubes are connected to the top of the undersink unit. (See step 6)



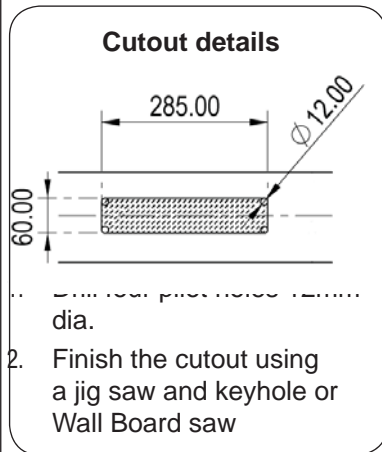
4 - 1.0 KG CO₂ Cyl.

This cylinder must be installed in an open plan area or in an enclosed room, with a volume no less than 20 m³. See details on the gas bottle and in the MSDS sheet for a complete list of warnings.

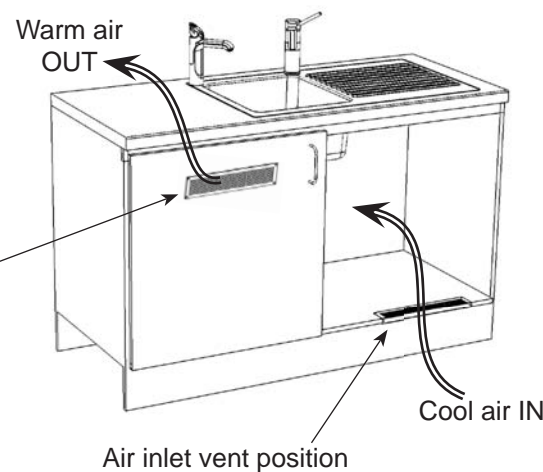
1. Secure the gas bottle supplied to a suitable wall, within 1 metre of the unit, in an upright position. This is done by screwing the metal plate holding the hook-and-loop strap to a cupboard wall, 200mm above the floor or base of the cupboard. Make sure the gas bottle can stand before securing to the wall. Due to regulatory requirements the gas bottle must be stored securely and in an upright position.
2. Make sure the regulator knob is turned fully anti-clockwise to the end-stop before fitting. Remove the gas bottle from the wall to fit the regulator. Be aware that some CO₂ may be discharged from the connection during assembly. To avoid excess gas leakage, promptly screw the regulator on to the bottle.
3. Connect the braided gas hose to the top of the undersink unit via the John Guest fitting marked 'CO2 IN' Then connect the threaded end to the regulator, taking care not to lose the plastic olive located inside the threaded nut. When commissioning, turn the gas ON by rotating the regulator knob anti-clockwise. The arrow should sit in the green section of the regulator gauge; it should not fall in the red or yellow sections.
4. When commissioning, use soapy water to perform a leak test. Apply the soapy water to the gas connections using a sponge. If any bubbles appear and grow, there is a gas leak at the connection. Clean away the soapy residue and tighten or refit the leaking connection. Make sure the regulator is turned off when tightening or refitting the leaking connection.
5. Refit the gas bottle to the hook-and-loop strap and secure the bottle in an upright position.

NOTE: Care must be taken when working with high pressure carbon dioxide.

5 - Ventilation



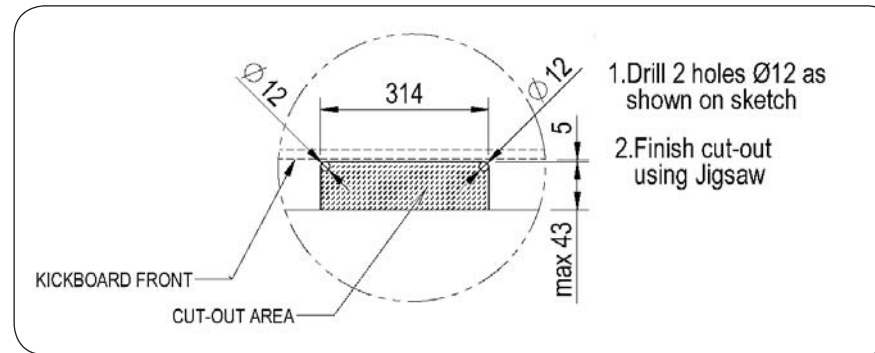
1. Finish the cutout using a jig saw and keyhole or Wall Board saw



Note: For alternative options, refer to section 2 of the main instructions

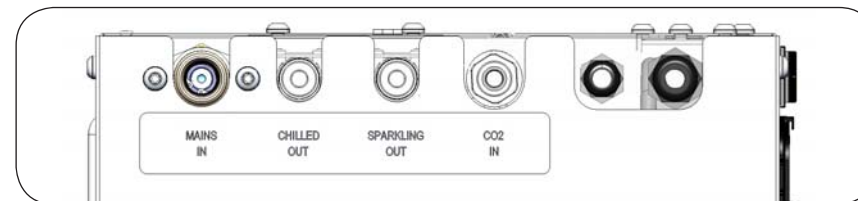
5 - Ventilation

Air inlet vent cutout details

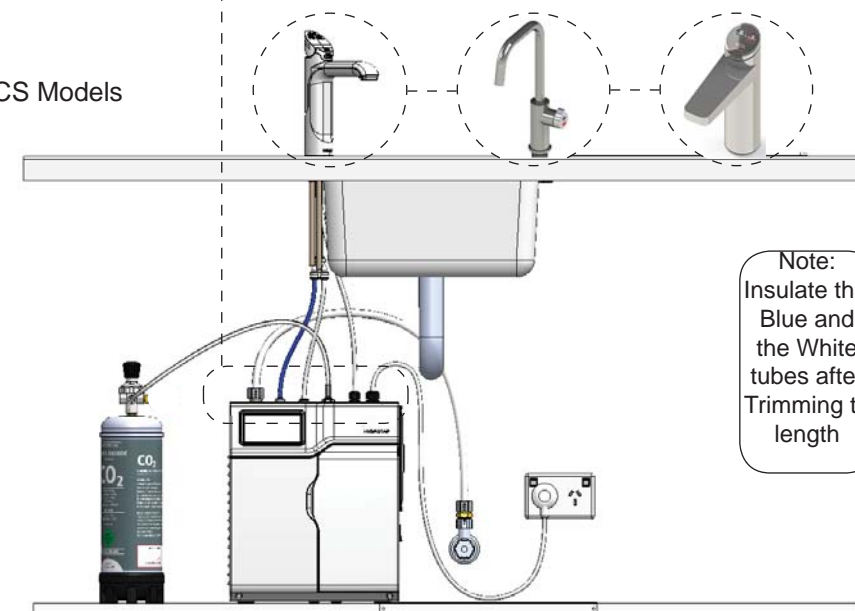


6 - HydroTap Unit

Note: Remove all caps from the top of the undersink unit and Install the mains water braided hoses to the undersink unit before locating the unit in place..



CS Models



Note:

- Mains hose length is 750mm
- Plug and Cord length is 1800mm

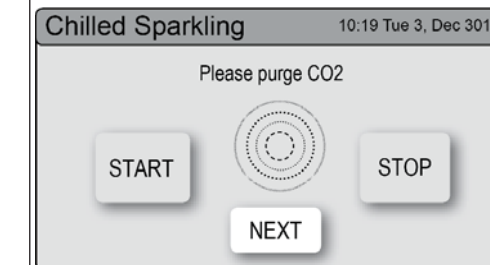
Position the under sink unit close to the outlet tap, within reach of the hose and cord lengths supplied

7 - Commissioning

Commissioning the HydroTap

Turn on the water and gas to check for any leaks before turning on the power. The system will prompt you to select a language before continuing with the filter flush procedure

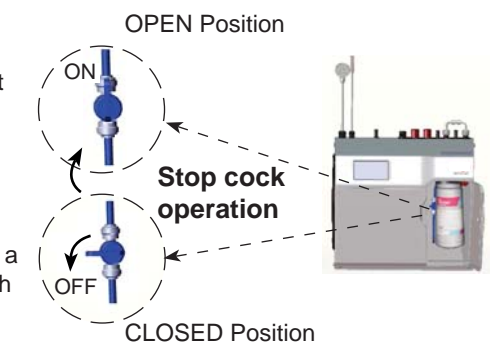
CO₂ Purge:



1. Press the [START] button to commence the purging process.
2. Purge for 5 seconds and ensure all water has stopped flowing through the tap. (You will hear the CO₂ gas escaping from the tap).
3. Press the [Stop] button.
4. Press [Next] for the filter flush screen

Filter Flush:

Have a 10L bucket or similar container (not supplied) at the ready to hold a quantity of water that will be ejected while the Filter Flush Mode is in operation. Open the filter access door on the front of the HydroTap and the filter cartridge will be exposed. Located to the rear RHS of the cartridge is a flush line, approx 600mm long and the flush line stop cock. Place the valve end of the flush line into the 10L bucket or container.



1. Turn the stop cock ON
2. Press [Start] button to start filter flush.
3. Allow at least 10 litres of water to flush through the filter.
4. Once the filter flush is finished, Turn the stop cock OFF then press [Stop] to end filter flush mode.

