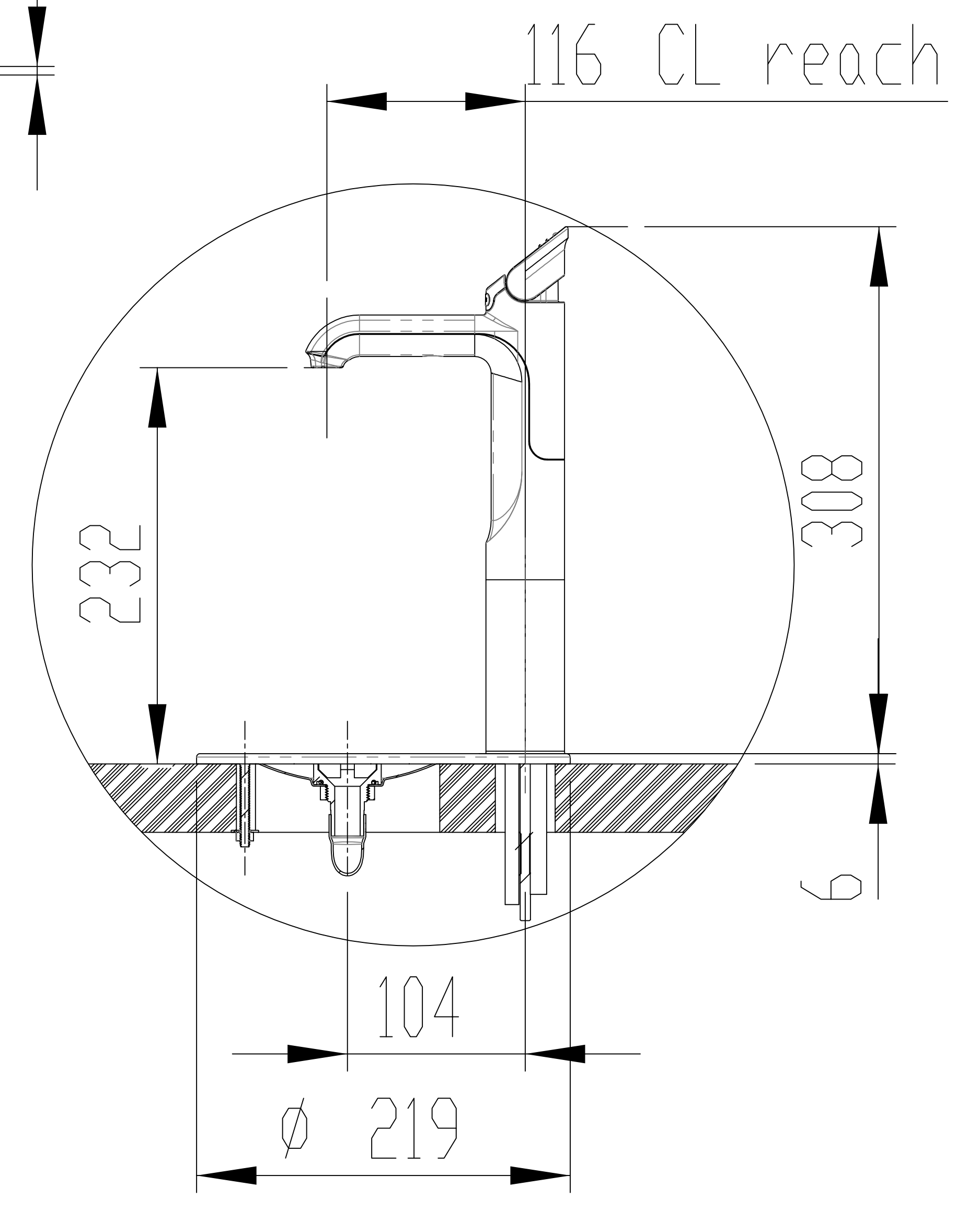
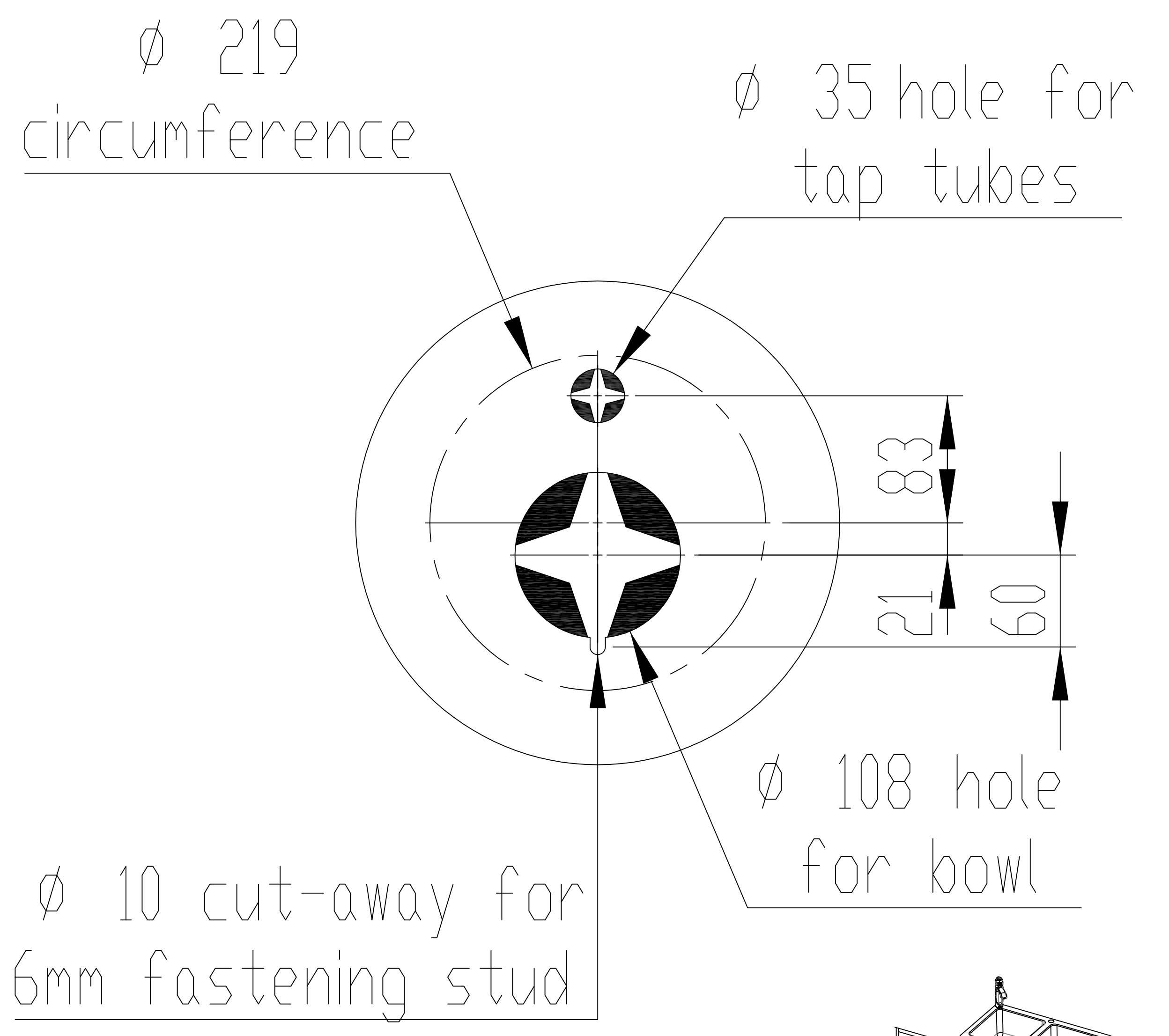


B. Cabinet Floor Cut-Out

4 min. Buffer Pad Clear Gap

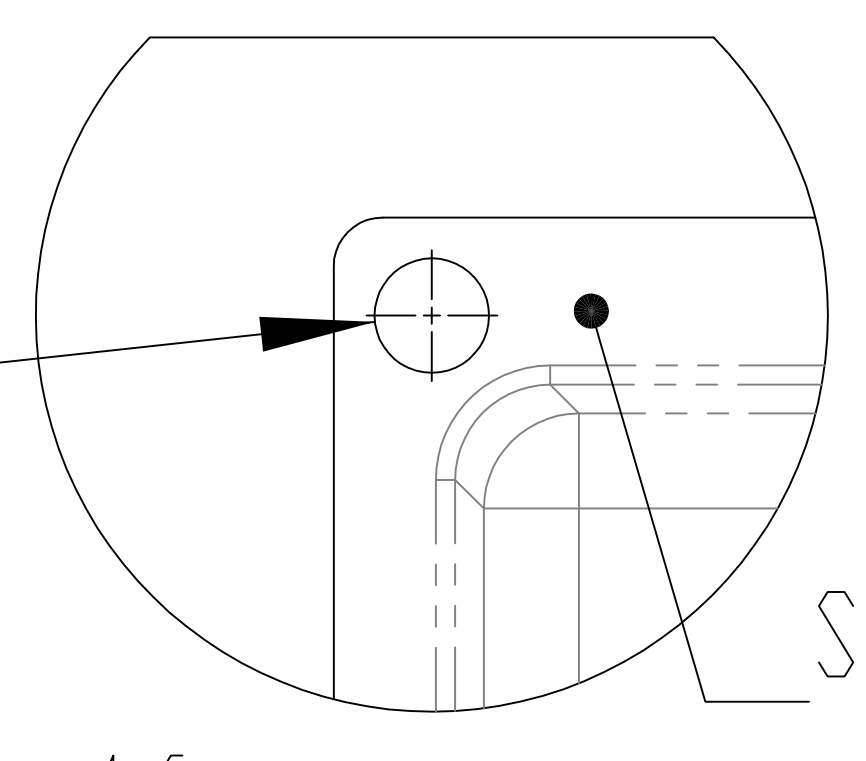


DETAIL FONT SCALE 1 : 5

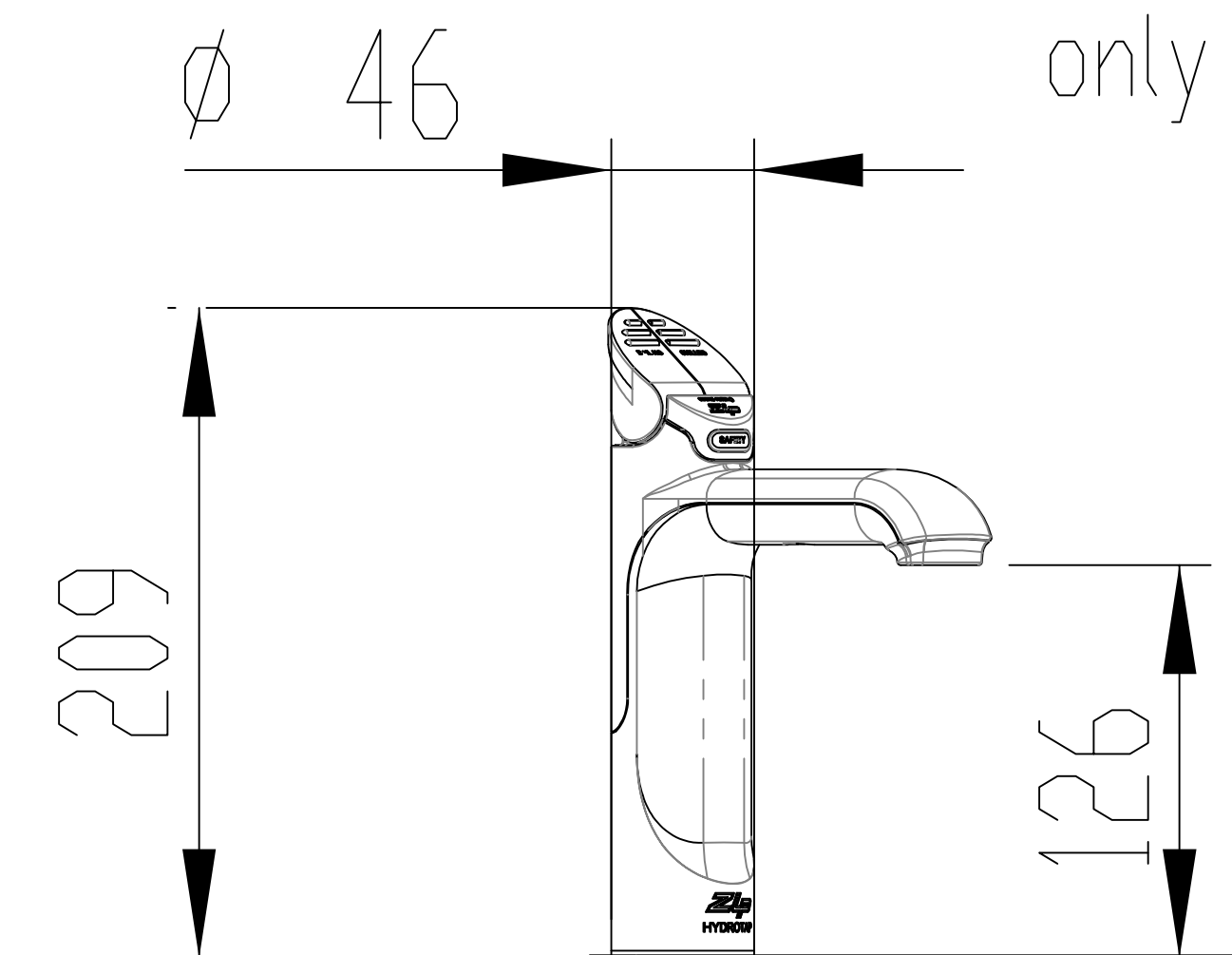


Ø 35 Hole for G4 Tap

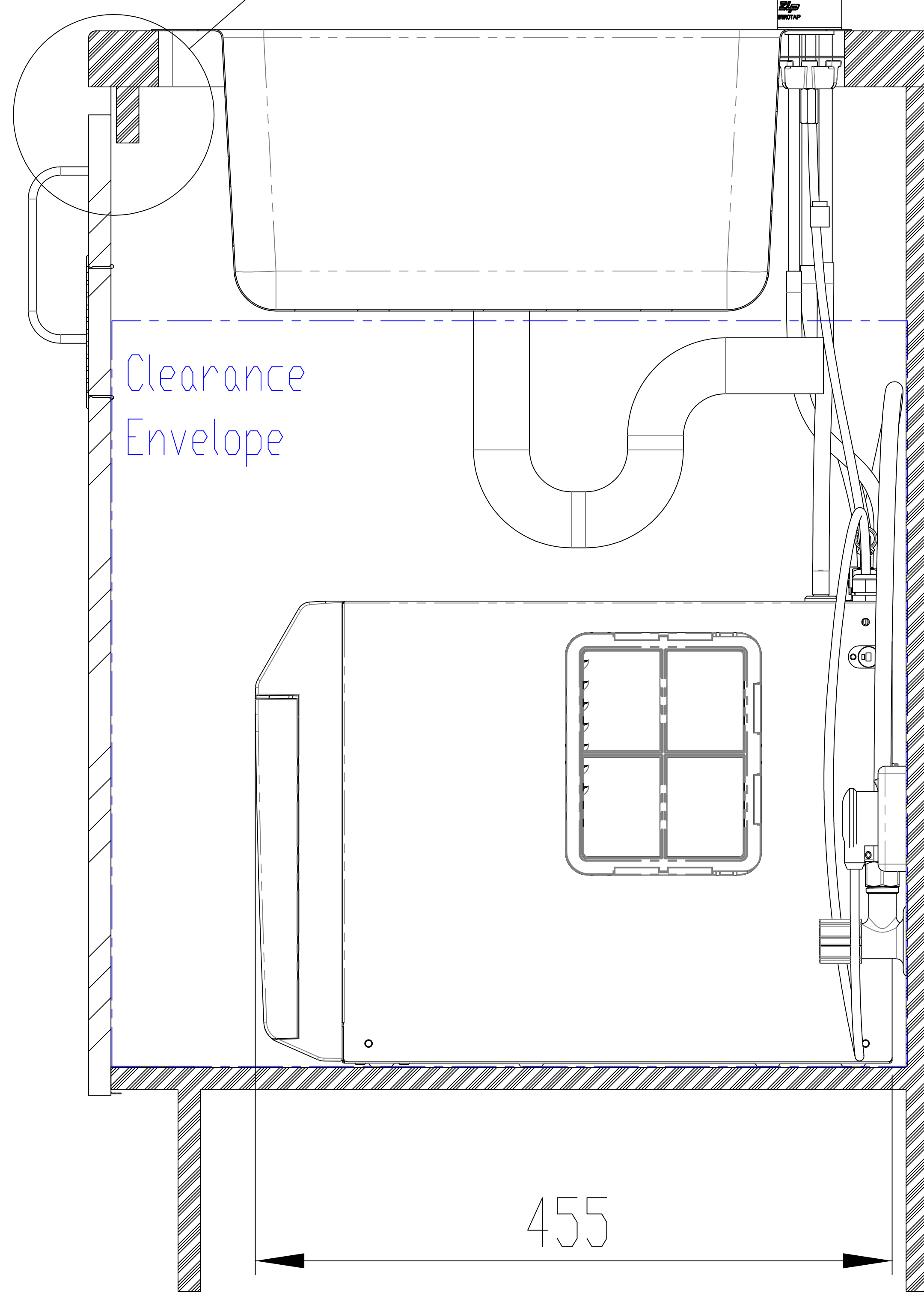
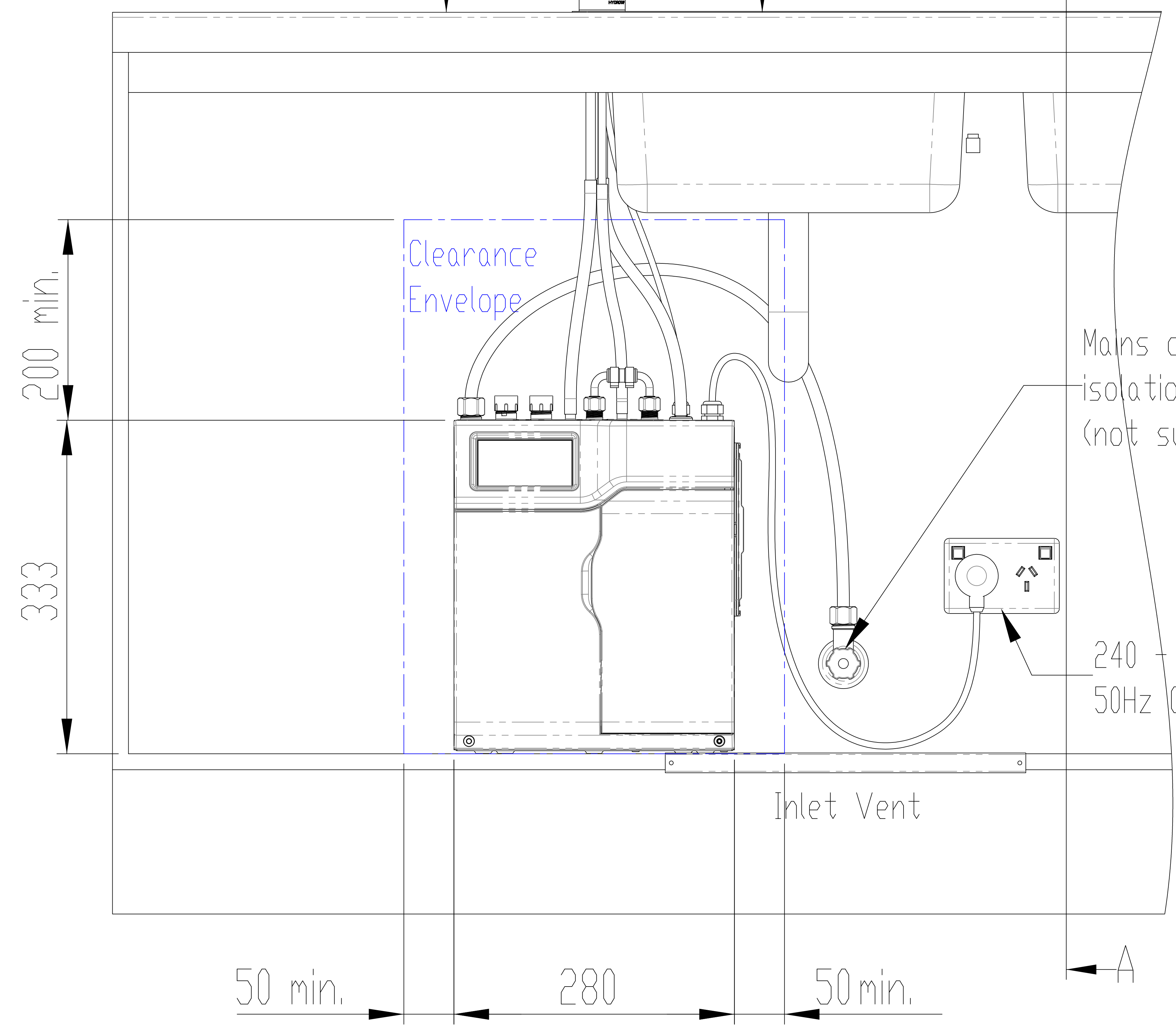
Position the Tap such that it dispenses into the sink bowl with ample clearance for a cup or a tea pot. Alternatively, the Tap could be mounted away from the sink using a Font available as an accessory.



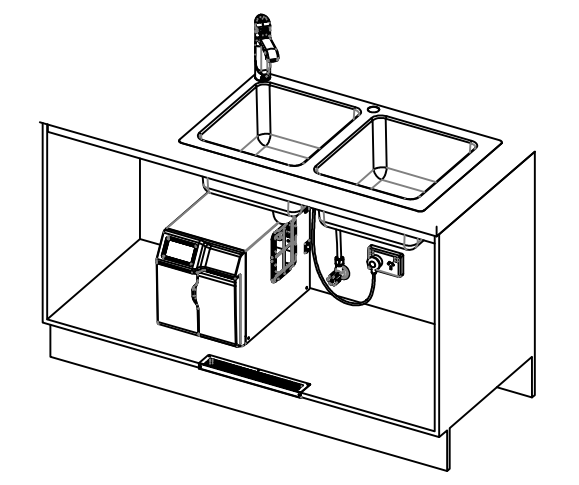
Sink shown only



See Detail B



SECTION A-A SCALE 1 : 5



Configuration : Default

1214AU0H0ZN1R