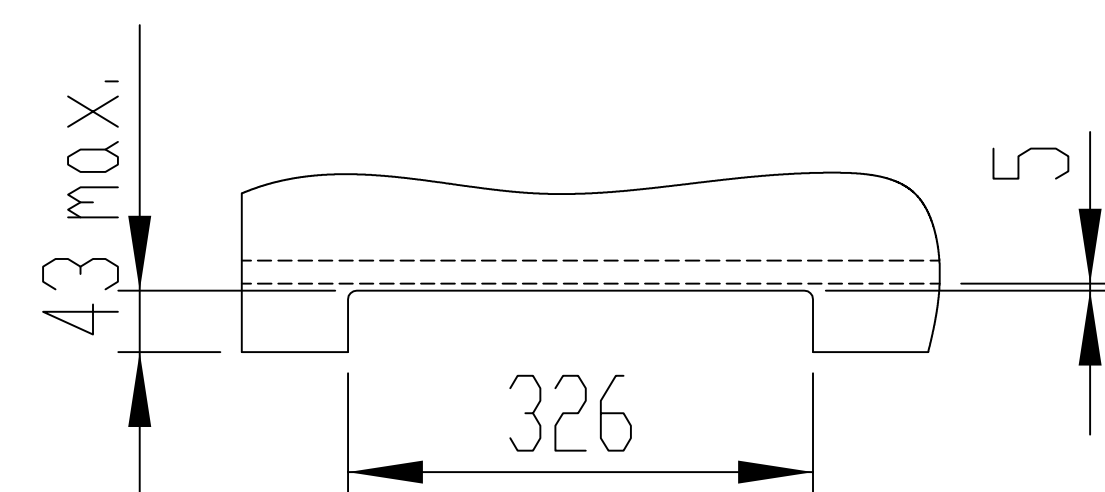


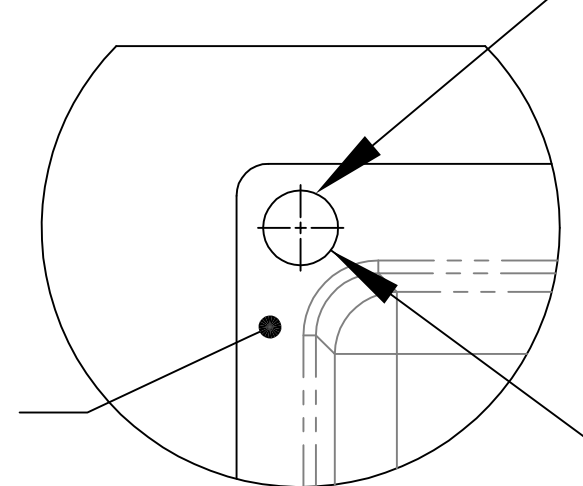
See Detail B  
Ventilation Detail



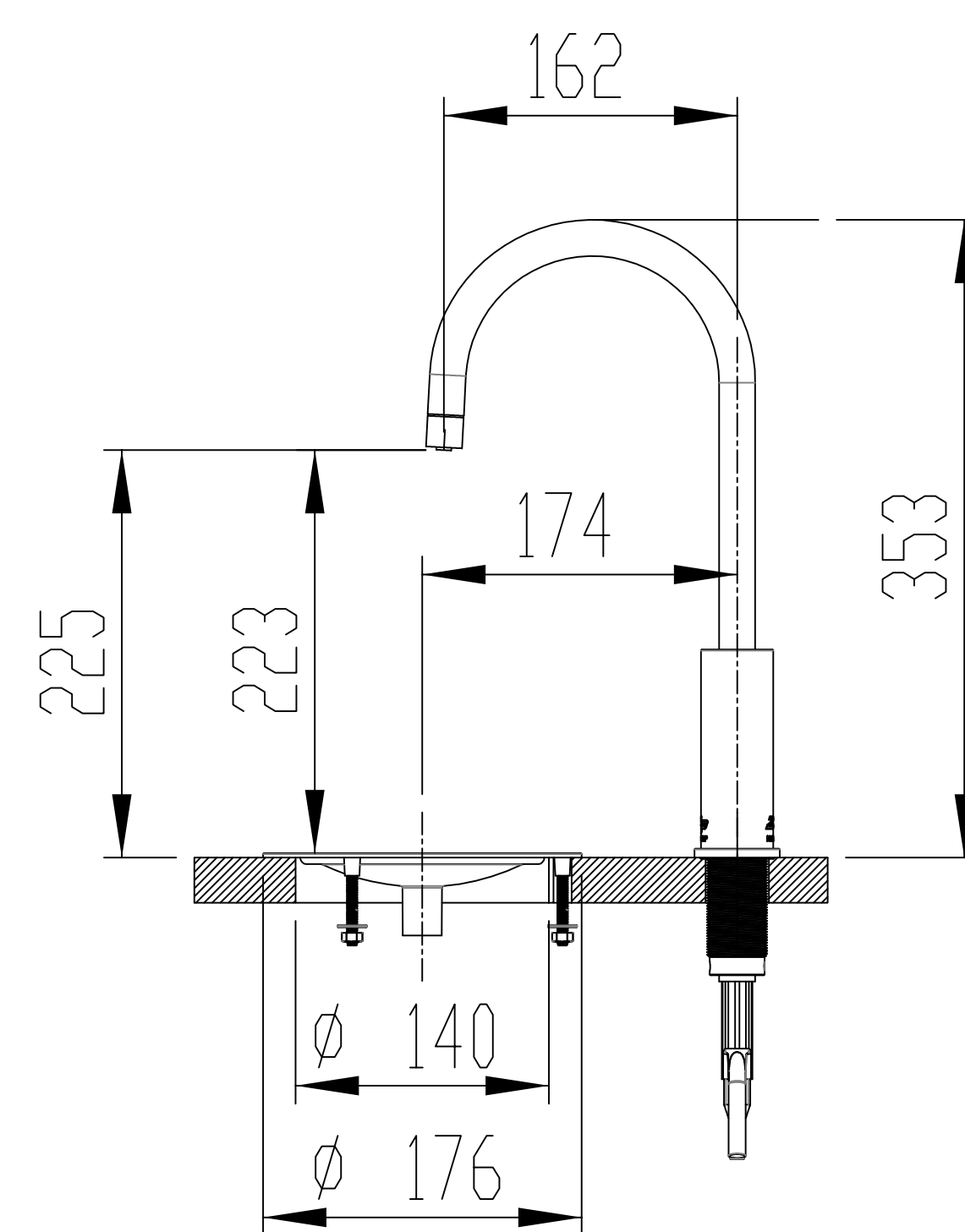
DETAIL B: Cabinet Floor Cut-Out  
SCALE 1 : 7.5

Position the Tap such that it dispenses into the sink bowl with ample clearance for a cup or a tea pot. Alternatively, the Tap could be mounted away from the sink using a Font available as an accessory.

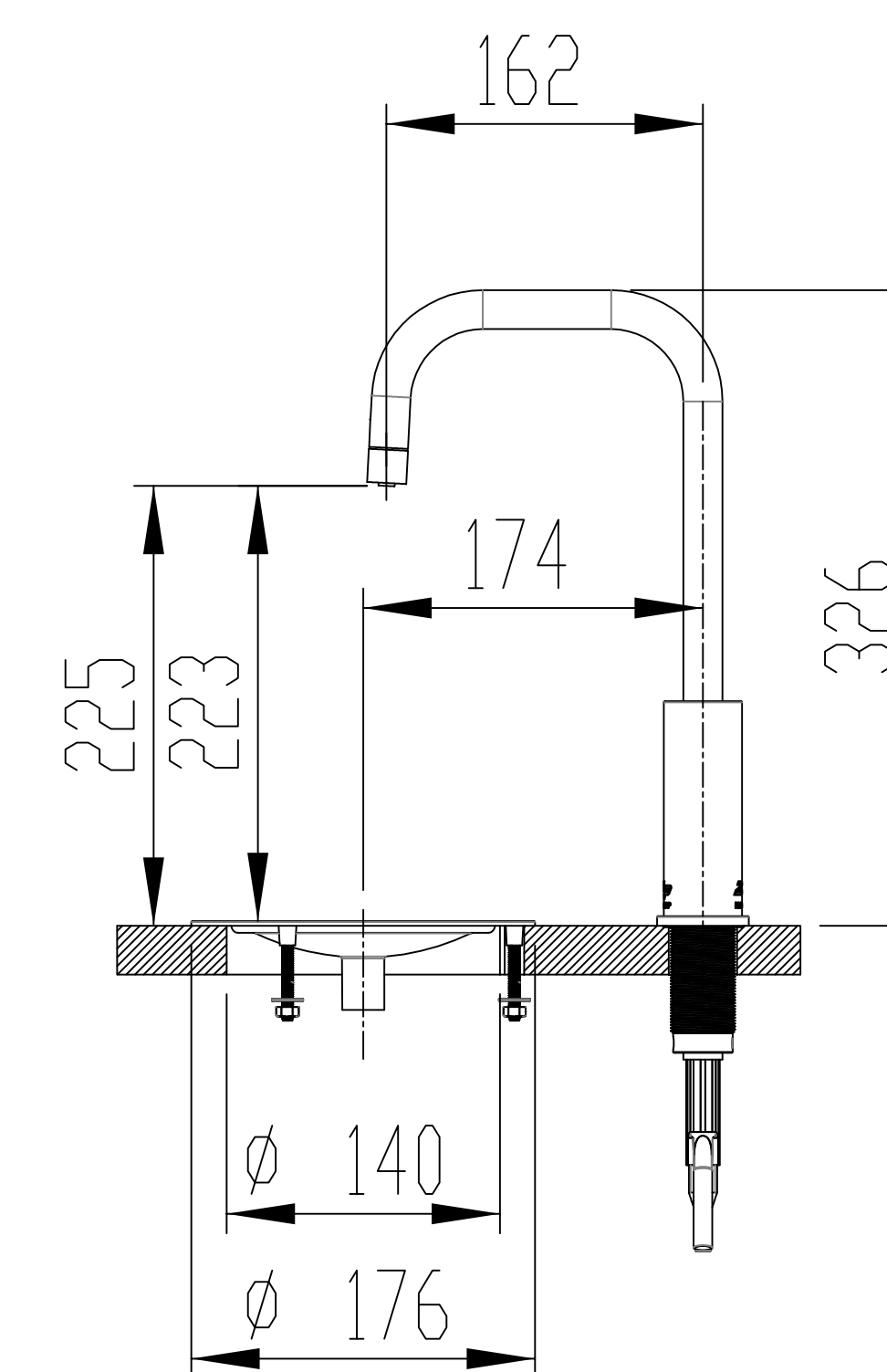
Sink shown only



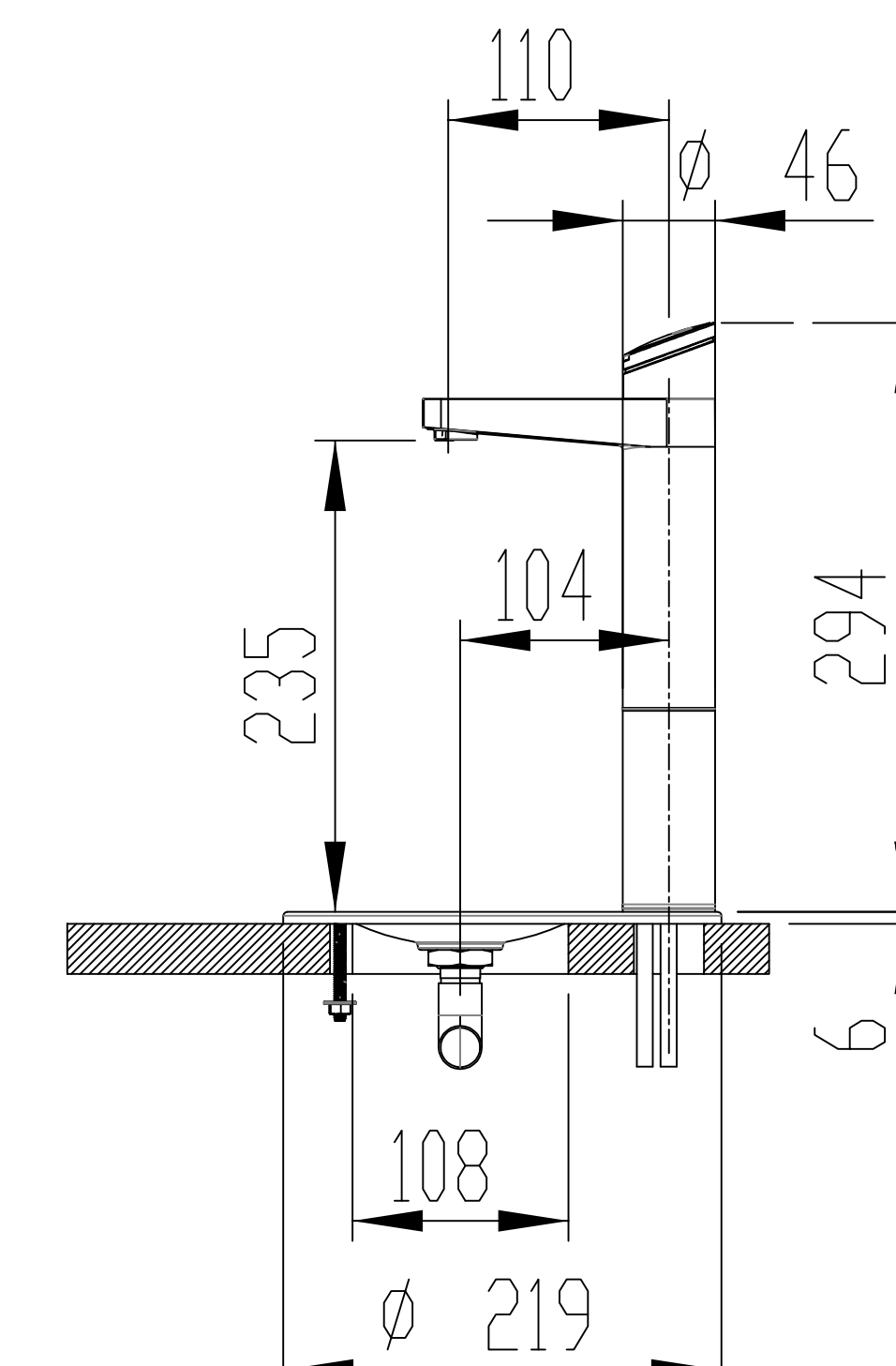
Ø 35 Hole for HydroTap Arc, HydroTap Cube or Elite Taps



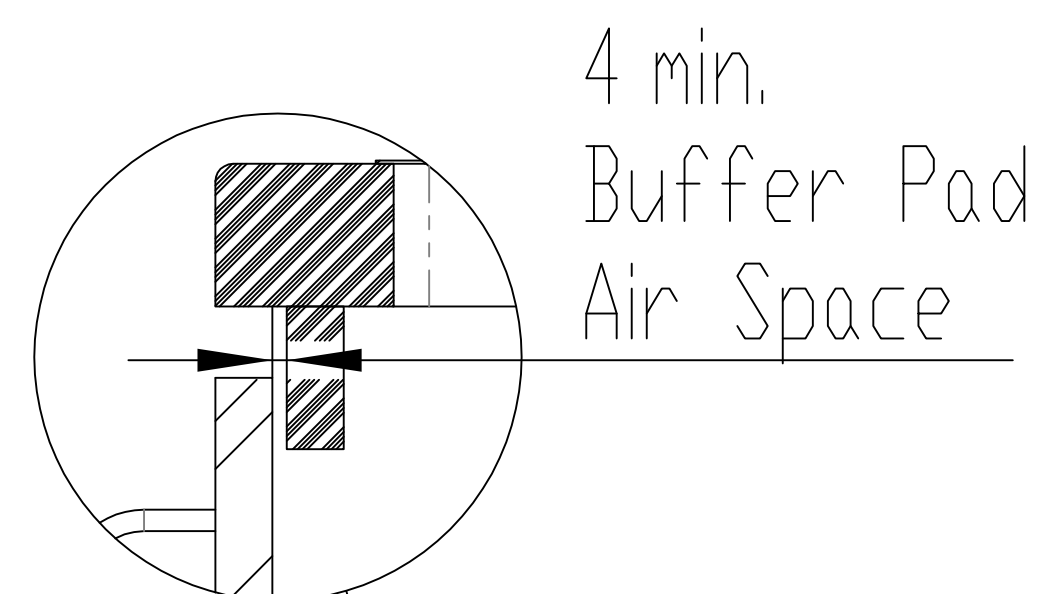
HydroTap Arc with Font



HydroTap Cube with Font

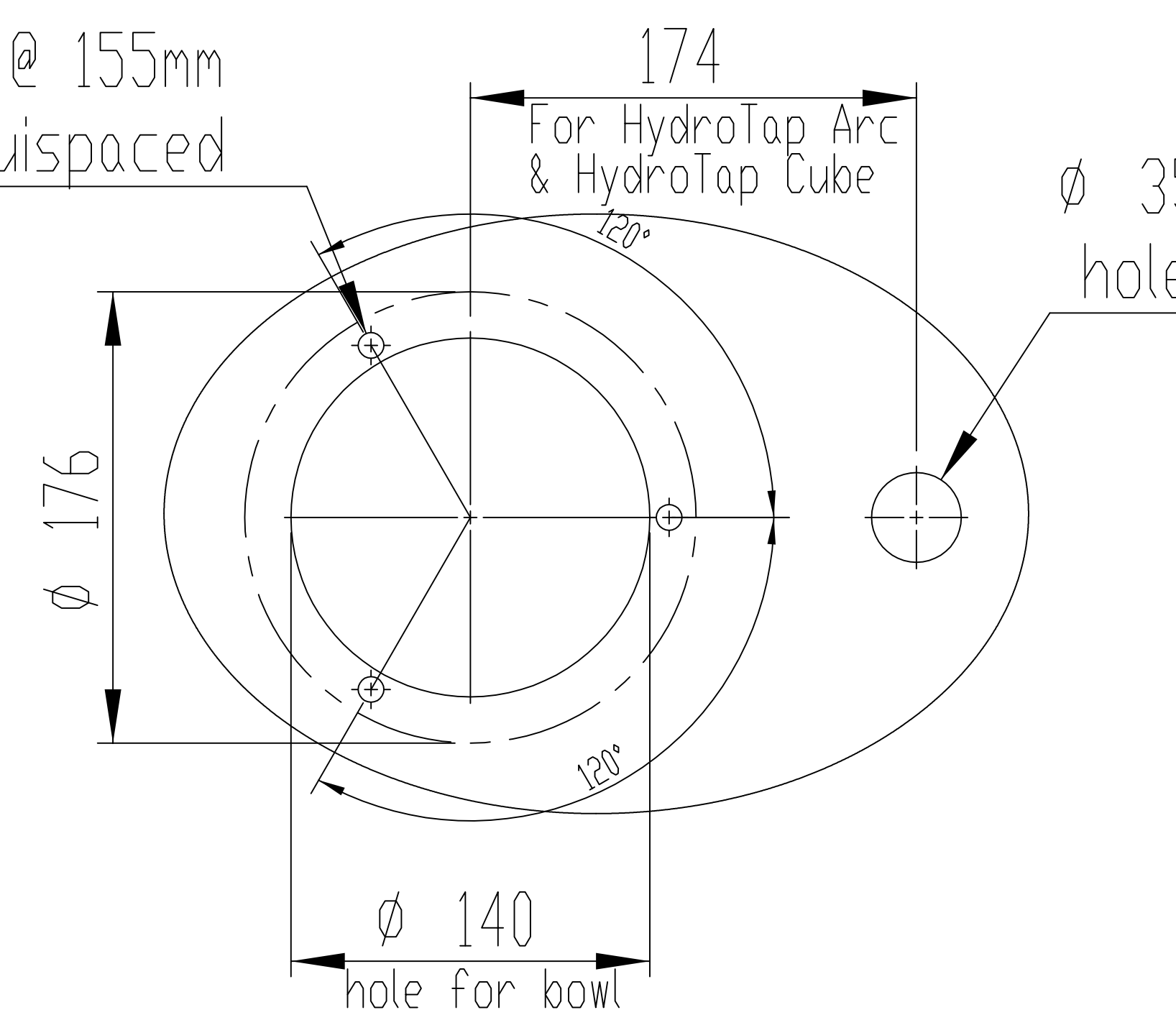


Elite Tap with Font

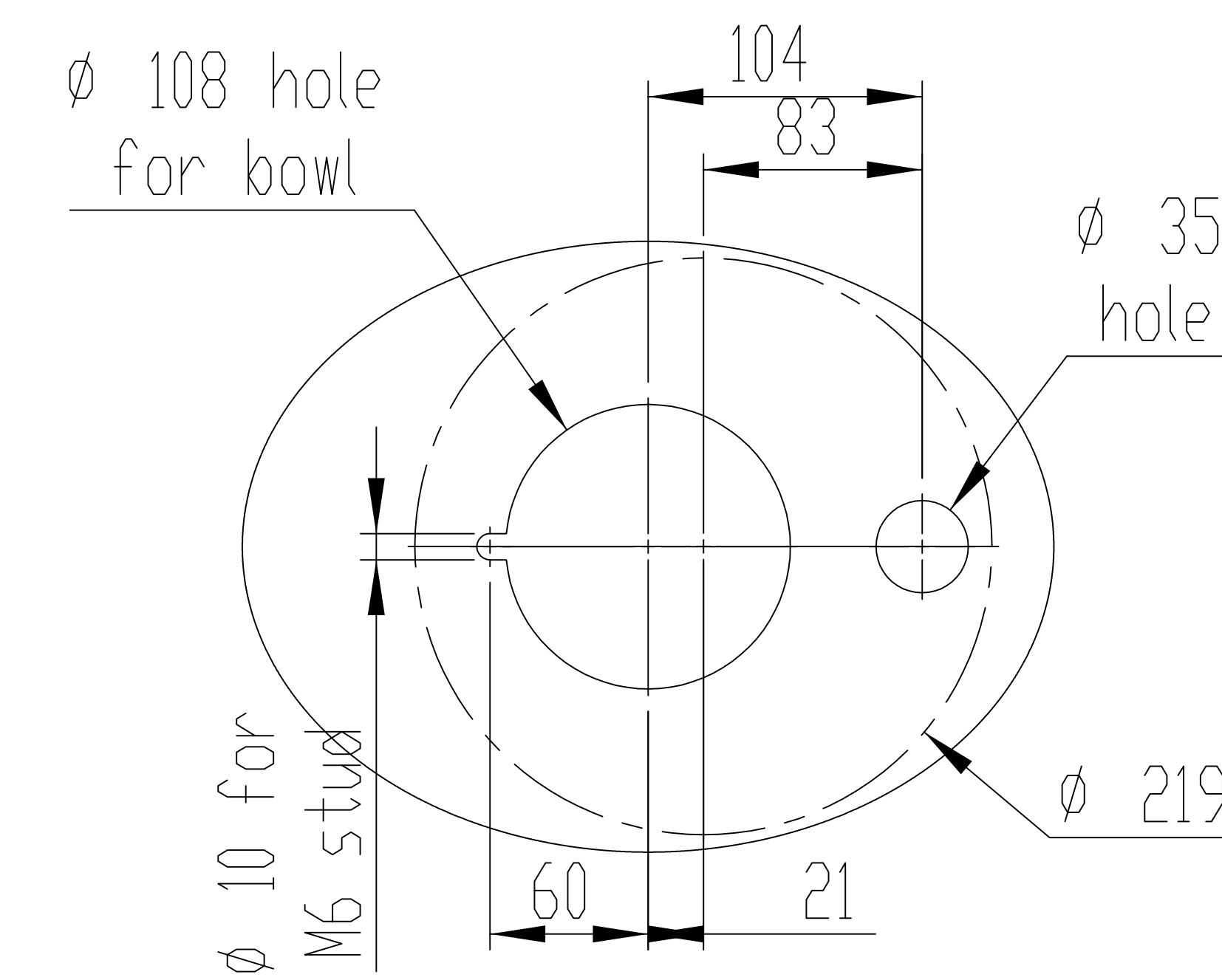


4 min. Buffer Pad Air Space

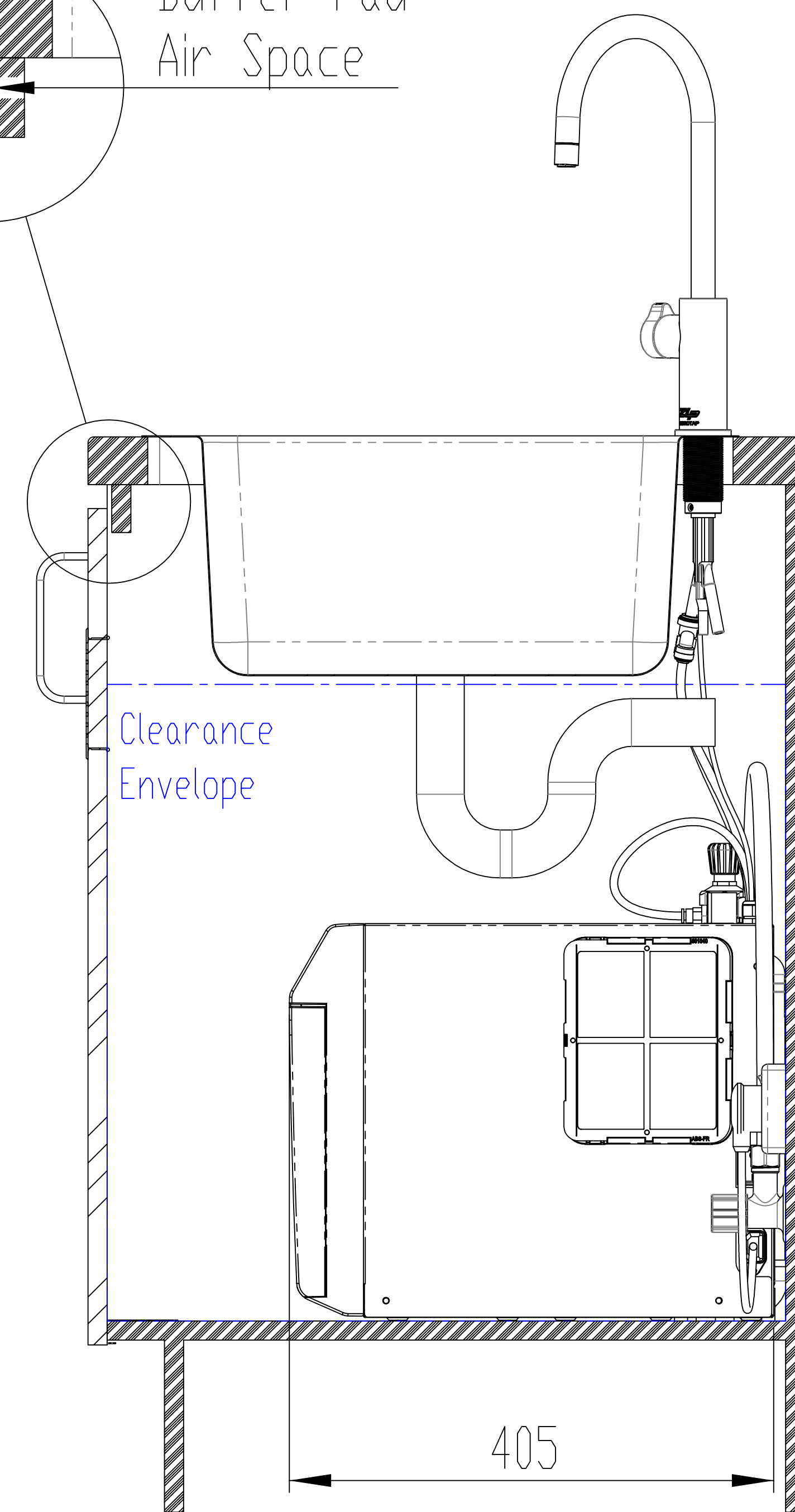
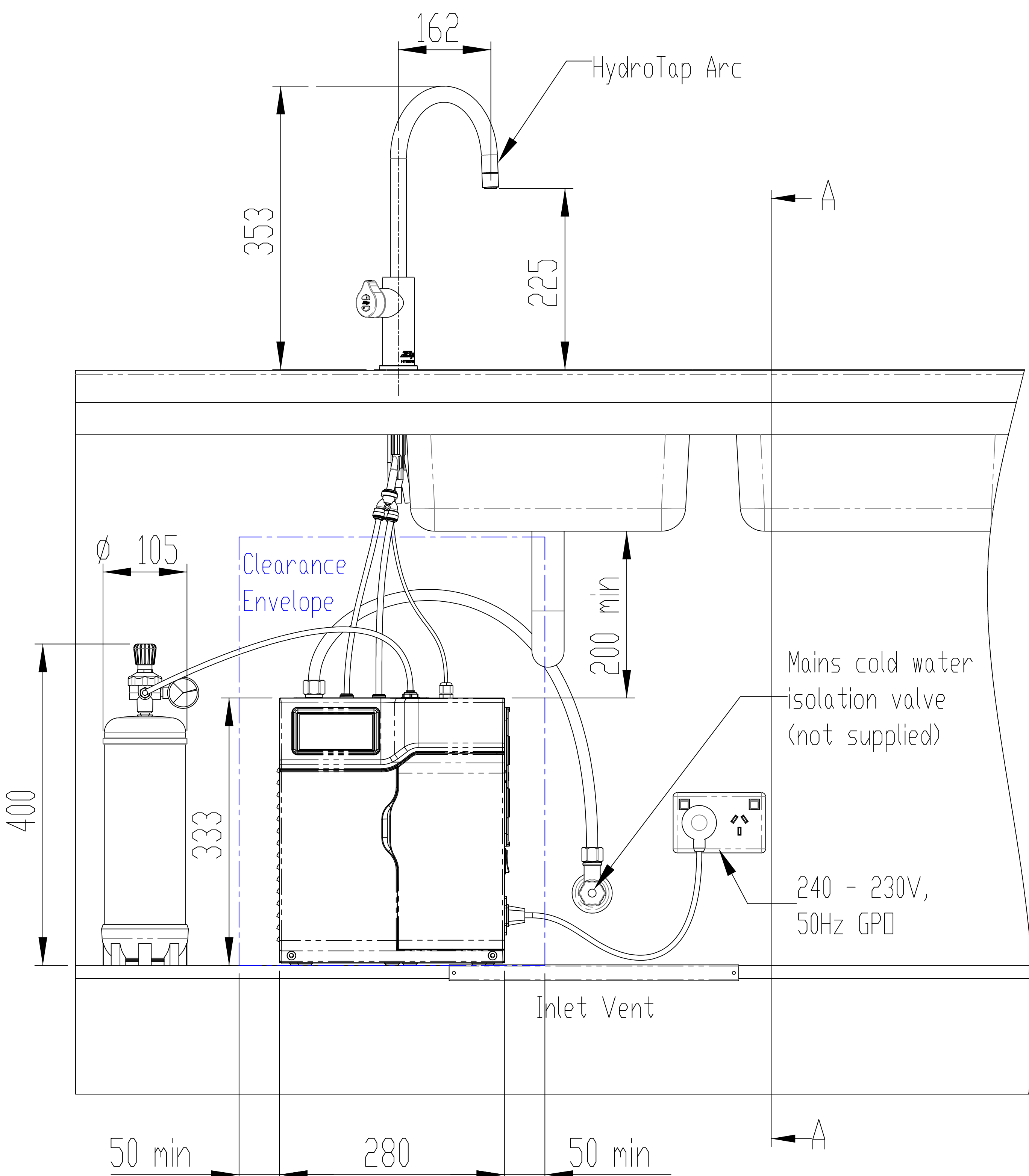
3-Ø 10 holes @ 155mm P.C.D. equispaced



Cutting Detail for HydroTap Arc & HydroTap Cube with Font



Cutting Detail for Elite Tap with Font



SECTION A-A  
SCALE 1 : 5

This set-up is applicable to:  
CS Residential:

- HT2787: 0056AU0T0ZN1R
- HT3787: 0056AU0U0ZN1R
- HT4787: 0056AU0E5ZN1R

- w/ HydroTap Arc Tap
- w/ HydroTap Cube Tap
- w/ Elite Tap